

OEM-D-460/462/465/5000-8000mW

OEM BLUE DIODE LASER  
AT 460/462/465NM

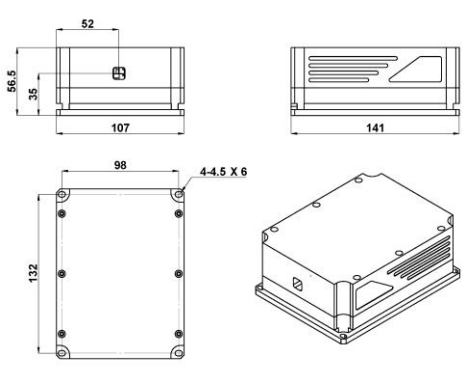
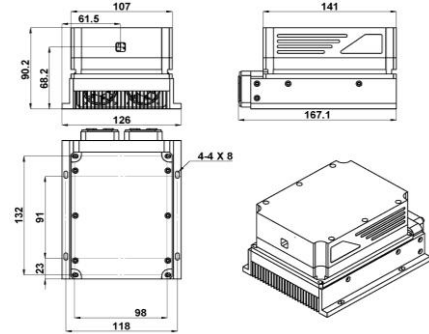
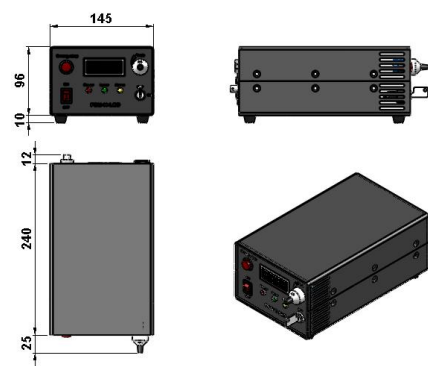
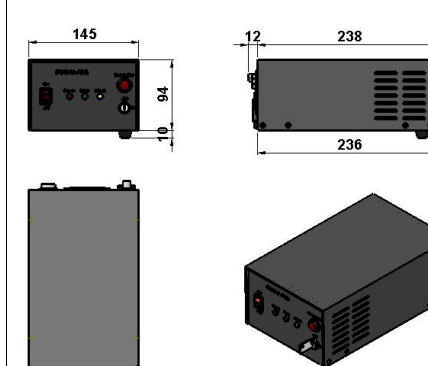
OEM blue diode laser at 460/462/465 nm is made features of ultra compact, long lifetime, cost-effectiveness and easy operating. It's easy to be installed in customer's equipment.



SPECIFICATIONS

Model	OEM-D-460	OEM-D-462	OEM-D-465
Wavelength (nm)	460±5	462±5	465±5
Operating mode	CW		
Output power (mW)	>5000, >6000, ..., 8000		
Power stability (rms, over 4 hours) at 25°C	<1%, <3%, <5%		
Polarization direction	Horizontal+ Vertical		
Beam diameter at the aperture (1/e <sup>2</sup> ,mm)	~3.2×3.2		
Beam divergence, full angle (mrad)	~1.4×0.2		
Warm-up time (minutes)	<5		
Beam height from base plate (mm)	35 (OEM-D-460/462/465)/ 68.2 (D-460/462/465-HS)		
Operating temperature (°C)	25+/-3 (OEM-D-460/462/465)/ 10-35 (D-460/462/465-HS)		
Power supply (100-240VAC)	PSU-H-LED/ PSU-H-FDA		
TTL / Analog modulation	TTL or Analog with 1Hz-1KHz 1KHz-10KHz, 10KHz-30KHz optional		
Expected lifetime (hours)	10000		
Warranty	1 year		



OEM-D-460/462/465	D-460/462/465-HS	PSU-H-LED	PSU-H-FDA
 <p>141(L)×107(W)×56.5(H)mm<sup>3</sup>, 2.2kg</p>	 <p>167.1(L)×126(W)×90.2(H)mm<sup>3</sup>, 3.2kg</p>	 <p>277 (L) ×145(W) ×106(H) mm<sup>3</sup>, 2.3kg</p>	 <p>275 (L) ×145(W) ×104(H) mm<sup>3</sup>, 2.1kg</p>