



OEM-D-520/1-4W

GREEN DIODE LASER
At 520nm

OEM diode green laser at 520nm is made features of round spot, long lifetime, low cost and easy operating, which is widely used in measurement, spectrum analysis, laser lighting show, etc.

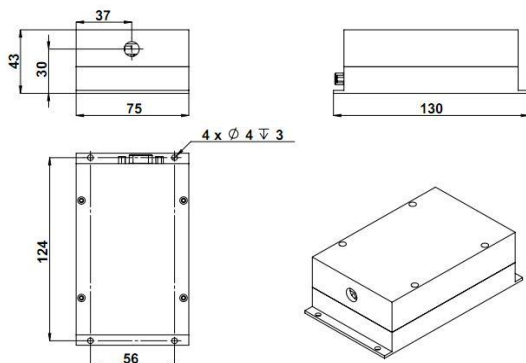


SPECIFICATIONS

Wavelength (nm)	520±5	
Operating mode	CW	
Output power (W)	1, ..., 4	
Power stability (rms, over 4 hours)	<1%, <3%, <5%	
Beam divergence, full angle (mrad)	<1.4×0.8	
Beam diameter at the aperture (mm)	~3.5×5	
Polarization direction	Horizontal+ Vertical	
Warm-up time (minutes)	<5	
Beam height from base plate (mm)	28.5 (OEM-D-520)	68.2 (D-520-HS)
Operating temperature (°C)	25+/-3 (OEM-D-520)	10~35 (D-520-HS)
Power supply (90-264VAC)	PSU-6R-OEM/PSU-6R-OEM-H	
Modulation option	TTL/Analog 1Hz-5KHz, 1Hz-10KHz, 1Hz-100KHz, and TTL on/off	
Expected lifetime (hours)	10000	
Warranty	1 year	

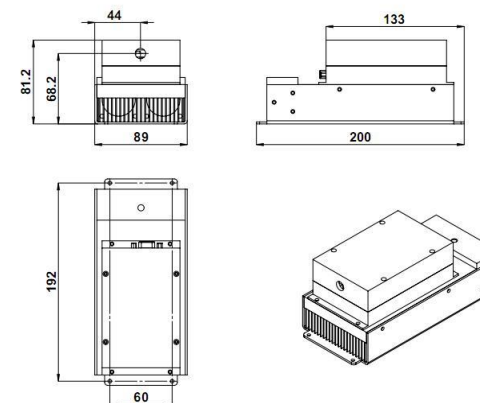


Dimensions of Laser head



OEM-D-520

130(L)×75(W)×43(H)mm³, 1.0kg



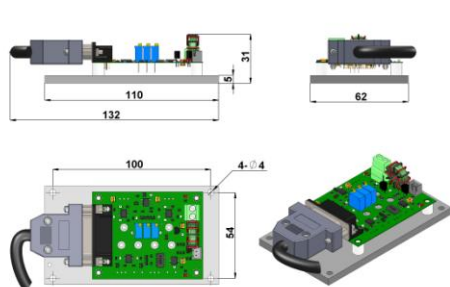
D-520-HS

200(L)×89(W)×81.2(H)mm³, 2.2kg



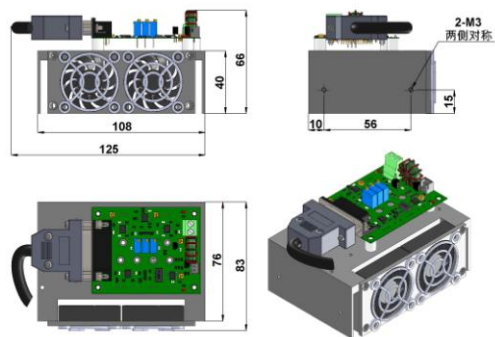
Supply power

Adapter



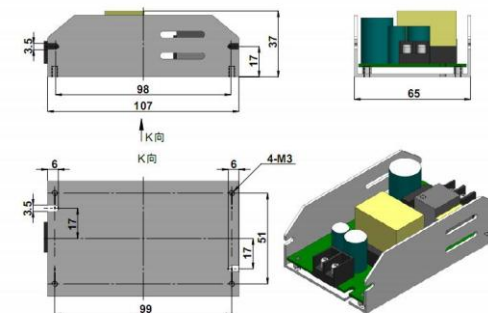
PSU-6R-OEM

110(L)×62(W) ×31(H) mm³, 0.3kg



PSU-6R-OEM-H

108(L)×83(W) ×66(H) mm³, 0.6 kg



12V8.3A

107(L)×65(W) ×37(H) mm³, 0.5 kg