

OEM-DH-450/15W-30W

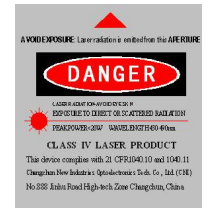
SPECIFICATIONS

OEM BLUE DIODE LASER
AT 450nm

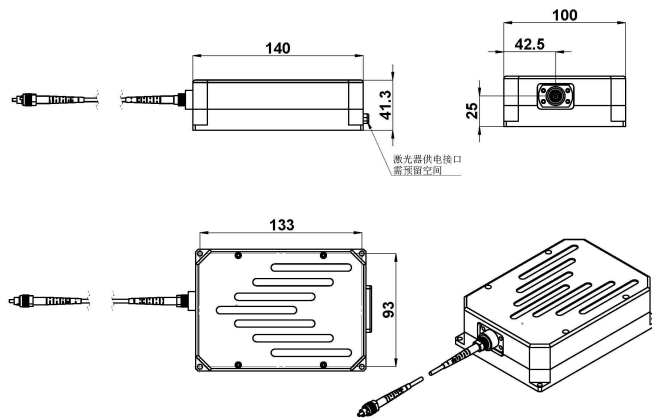
OEM diode laser 450 nm blue laser is made features of ultra compact, long lifetime, low cost and easy operating. It's easy to be installed in customer's equipment.



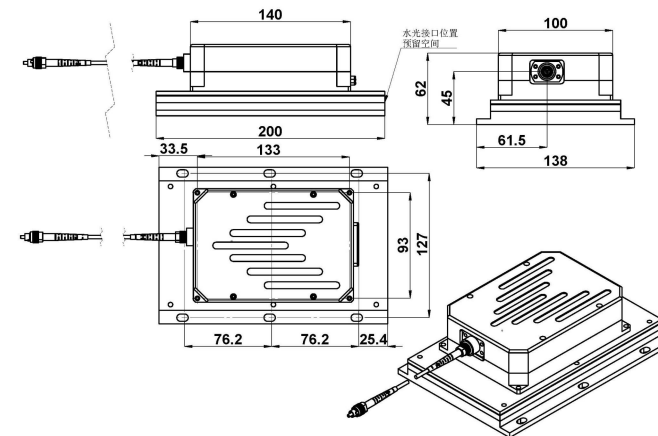
| | | |
|--|--|--------------------------|
| Wavelength (nm) | 450±10 | |
| Output power (W) | 15,16,.....30 | |
| Operating mode | CW | |
| Power stability (rms, over 4 hours) at 25℃ | <1%, <3%, <5% | |
| Warm-up time (minutes) | <5 | |
| Beam height from base plate (mm) | 25 (OEM-DH-450) | 45 (OEM-DH-450-Water) |
| Operating temperature (℃) | 25+/-3 (OEM-DH-450) | 10-35 (OEM-DH-450-Water) |
| Cooled method | Water Cooled for OEM-DH-450-Water | |
| Power supply (90-264VAC) | PSU-H-LED | |
| Expected lifetime (hours) | 10000 | |
| Modulation option | TTL/Analog 1Hz-5KHz, 1Hz-10KHz, 1Hz-100KHz, and TTL on/off | |
| Warranty | 1 year | |



Dimensions of Laser head

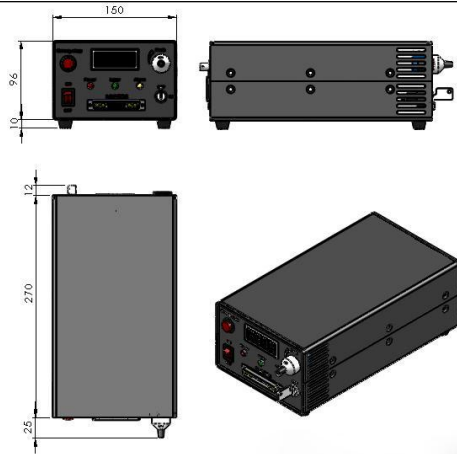


OEM-DH-450
140(L)×100(W)×41.3(H) mm³



OEM-DH-450-Water
200(L)×138(W)×62(H) mm³

PSU-H-LED



307 (L) × 150 (W) × 106 (H) mm³, 2.9 kg

Water Chiller (Optional)



280 (L) × 230 (W) × 380 (H) mm³, 18 kg