

OEM-F-450/1-3500mW

SPECIFICATIONS

OEM BLUE DIODE LASER  
AT 450NM

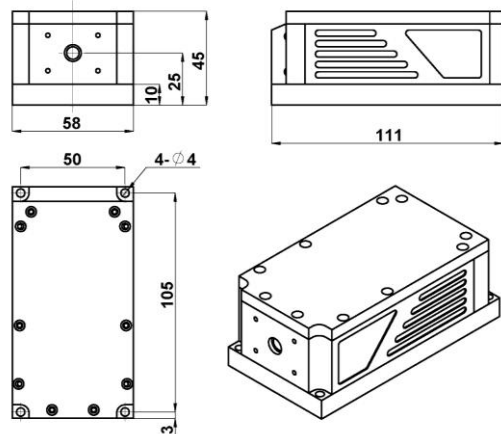
It features ultra compact design, long lifetime, cost-effectiveness and easy operation. They are widely used in scientific research, laser pointing, show and RGB mixed laser systems applications.



Wavelength (nm)	450±5	
Operating mode	CW	
Output power (mW)	>1, 100, 500, 1000, ...,2000	>2000, 1800, ...,3500
Power stability (rms, over 4 hours) at 25°C	<1%, <3%, <5%	
Transverse mode	Multimode	
Beam diameter at the aperture (1/e <sup>2</sup> , mm)	~2.7×2.7	~3.5×3.5
Beam divergence, half angle (mrad)	0.7×0.1	
Warm-up time (minutes)	<5	
Beam height from base plate (mm)	25 (OEM-F-450) / 45 (F-450-HS)	
Operating temperature (°C)	25+/-3 (OEM-F-450) / 10-35 (F-450-HS)	
Power supply	PSU-SD-OEM	
TTL / Analog modulation	TTL or Analog with 1Hz-1kHz 1kHz-10kHz, 10kHz-30kHz optional	
Expected lifetime (hours)	10000	
Warranty	1 year	

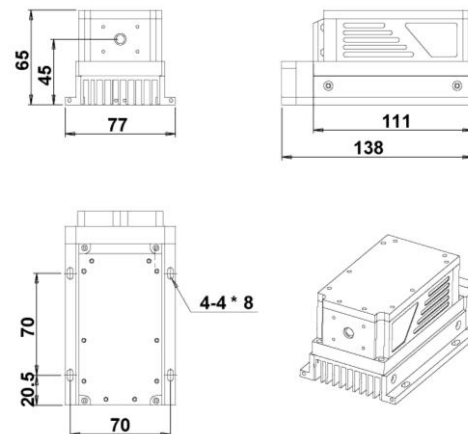


Dimensions of Laser Head



OEM-F-450

111 (L) × 58 (W) × 45 (H) mm<sup>3</sup>, 0.7kg



F-450-HS

138 (L) × 77 (W) × 65 (H) mm<sup>3</sup>, 1.0kg

Power Supply	Adapter for 1-2000mW (6.5VDC)	Adapter for >2000mW (8VDC)
<p style="text-align: center;"><b>PSU-SD-OEM</b></p> <p style="text-align: center;">90.5 (L) ×47(W) ×56(H) mm<sup>3</sup>, 0.3kg</p>	<p style="text-align: center;">99 (L) ×82(W) ×35(H) mm<sup>3</sup>, 0.3kg</p>	<p style="text-align: center;">120 (L) ×60(W) ×37(H) mm<sup>3</sup>, 0.3kg</p>