

OEM-GD-447/9-16W

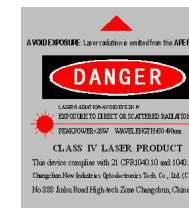
OEM BLUE DIODE LASER AT 447nm

OEM diode laser 447 nm blue laser is made features of ultra compact, long lifetime, low cost and easy operating. It's easy to be installed in customer's equipment.

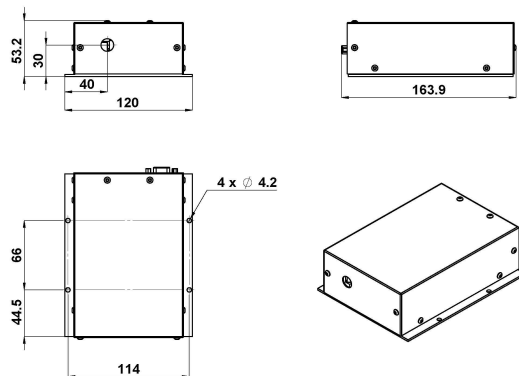


SPECIFICATIONS

Wavelength (nm)	447±10	
Output power (W)	>9, ... ,>16	
Operating mode	CW	
Power stability (rms, over 4 hours) at 25°C	<1%, <3%, <5%	
Beam diameter at the aperture (mm)	~7×5	
Beam divergence, full angle (mrad)	<1.4×0.8	
Polarization direction	Horizontal+ Vertical	
Warm-up time (minutes)	<5	
Beam height from base plate (mm)	30 (OEM-GD-447)	68.2 (GD-447-HS)
Operating temperature (°C)	25±/3 (OEM-GD-447)	10-35 (GD-447-HS)
Power supply(90-264VAC)	PSU-PN7-OEM/ PSU-PN7-OEM-H	
Modulation option	TTL/Analog 1Hz-5KHz, 1Hz-10KHz, 1Hz-100KHz, and TTL on/off	
Expected lifetime (hours)	10000	
Warranty	1 year	

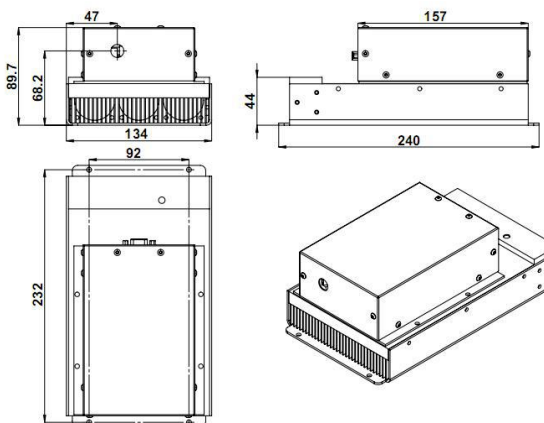


Dimensions of Laser Head



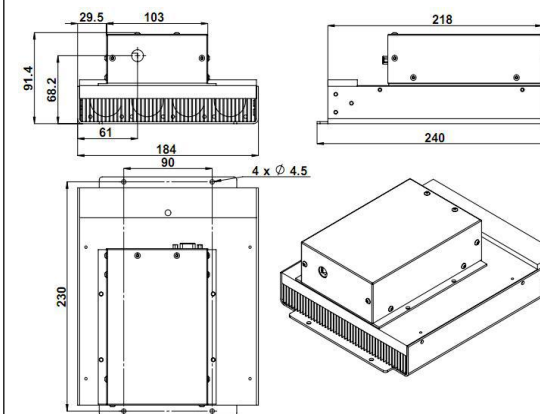
OEM-GD-447

163.9(L)×120(W)×53.2(H) mm³, 1.7kg



GD-447-HS (10-12W)

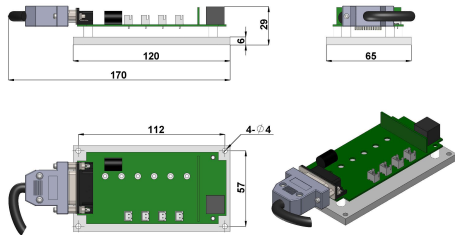
240(L)×134(W)×89.7(H) mm³, 3.9kg



GD-447-HS (16W)

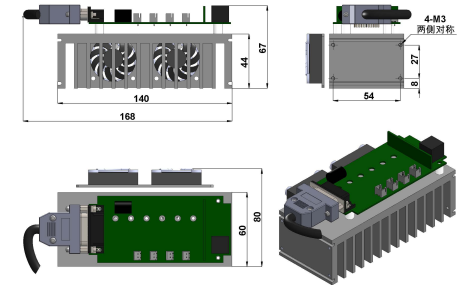
240(L)×184(W)×91.4(H), 4.3kg

Power Supply



PSU-PN7-OEM

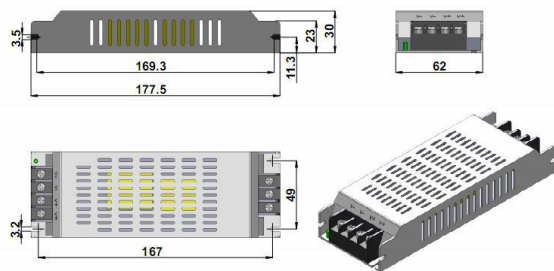
120(L)×65(W) ×29(H) mm³,0.5 kg



PSU-PN7-OEM-H

140(L)×80(W) ×67(H) mm³,1 kg

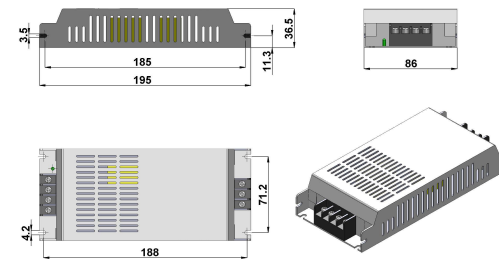
Adapter (10-12W)



12V15A

177.5(L)×62(W) ×30(H) mm³,0.5kg

Adapter (16W)



12V20A

195(L)×86(W) ×36.5(H) mm³,0.6kg