



OEM-GD-520/ 3.5-5W

GREEN DIODE LASER
At 520nm

OEM diode green laser at 520nm is made features of ultra compact, long lifetime, low cost and easy operating, which is widely used in measurement, spectrum analysis, laser lighting show, etc.

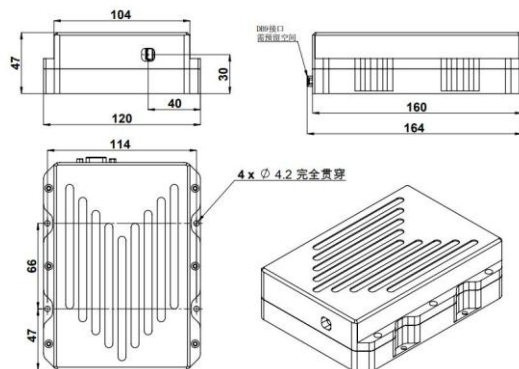


SPECIFICATIONS

Wavelength (nm)	520±5		
Output power (W)	3.5-5		
Beam diameter at the aperture (mm)	5.5×6		
Beam divergence, full angle (mrad)	~1.2		
Power stability (rms, over 4 hours)	<1%, <3%, <5%		
Polarization direction	Horizontal+ Vertical		
Warm-up time (minutes)	<5		
Beam height from base plate (mm)	30 (OEM-GD-520)	68.2(GD-520-HS)	93.5(GD-520-HS)
Operating temperature (°C)	25+/-3 (OEM-GD-520)	15-35(GD-520-HS)	
Power supply (90-264VAC or 12V30A)	PSU-PN7-OEM	PSU-PN7-OEM-H	
Modulation option	TTL/Analog 1Hz-5KHz, 1Hz-10KHz, 1Hz-100KHz, and TTL on/off		
Expected lifetime (hours)	10000		
Warranty	1 year		



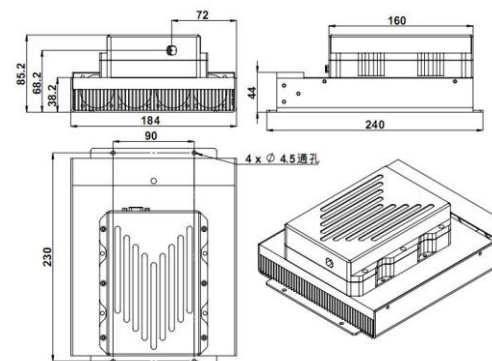
Dimensions of Laser head



OEM-GD-520

164(L)×120(W)×47(H)mm³

Dimensions of Laser head

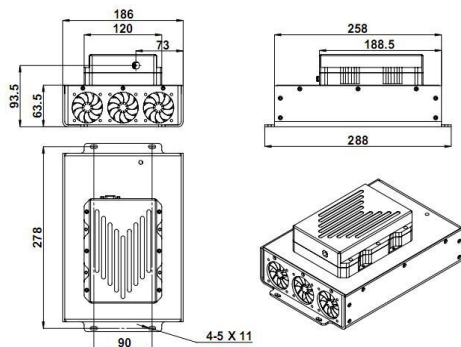


GD-520-HS

240(L)×184(W)×85.2(H)mm³



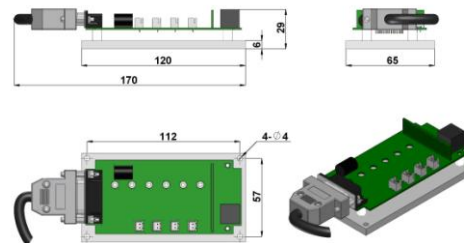
Dimensions of Laser head



GD-520-HS-16W

288(L)×186(W)×110.5(H)mm³

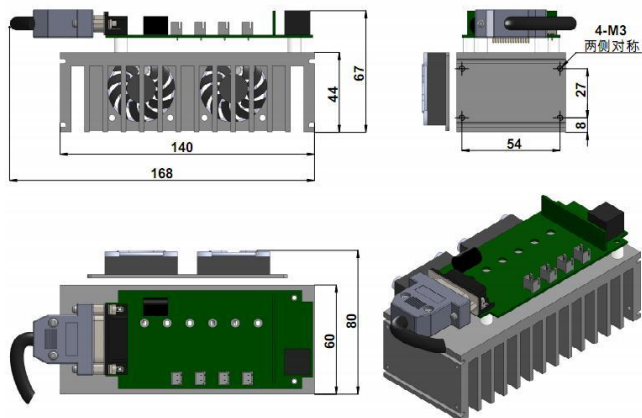
Power Supply



PSU-PN7-OEM

120(L)×65(W)×29(H)mm³

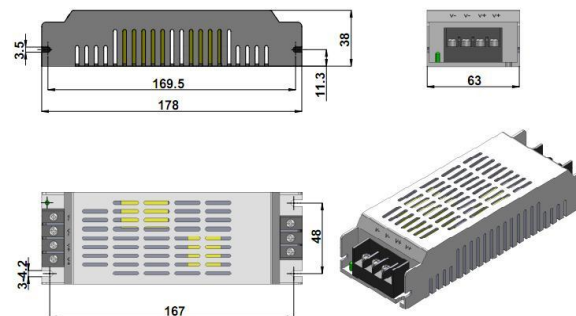
Power Supply



PSU-PN7-OEM

140(L)×80(W)×67(H)mm³

Adapter



12V20A

178(L)×63(W)×38(H)mm³