



OEM-GD-635 /3-6W

**RED DIODE LASER
At 635nm**

OEM diode red laser at 635nm is made features of ultra compact, long lifetime, low cost and easy operating, which is widely used in measurement, spectrum analysis, laser lighting show, etc.

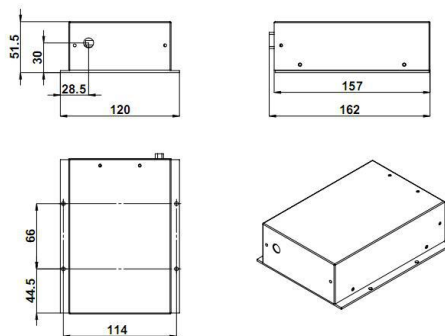


SPECIFICATIONS

Wavelength (nm)	635±5	
Operating mode	CW	
Output power (W)	3, ..., 6	
Power stability (rms, over 4 hours)	<1%, <3%, <5%	
Beam diameter at the aperture (mm)	~6×6	
Beam divergence, full angle (mrad)	<1.9×2.3	
Polarization direction	Horizontal+ Vertical	
Warm-up time (minutes)	<5	
Beam height from base plate (mm)	30(OEM-GD-635)	68.2(GD-635-HS)
Operating temperature (°C)	25+/-3(OEM-GD-635)	10-35(GD-635-HS)
Power supply (100-240VAC)	PSU-PN7-OEM/ PSU-PN7-OEM-H/ PSU-6R-OEM/ PSU-6R-OEM-H	
Modulation option	TTL/Analog 1Hz-5KHz, 1Hz-10KHz, 1Hz-30KHz, and TTL on/off	
Expected lifetime (hours)	10000	
Warranty	1Year	

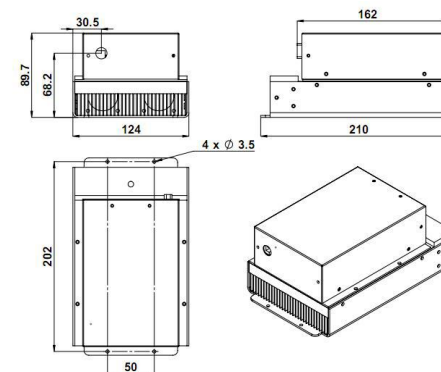


Dimensions of Laser head



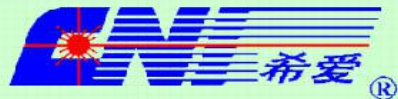
OEM-GD-635

162(L)×120(W) ×51.5(H) mm³, 1.2 kg

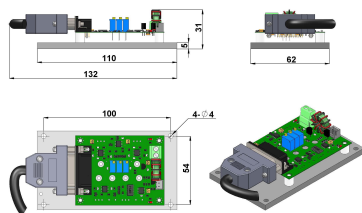


GD-635-HS

210(L)×124(W) ×89.7(H) mm³, 2.4kg

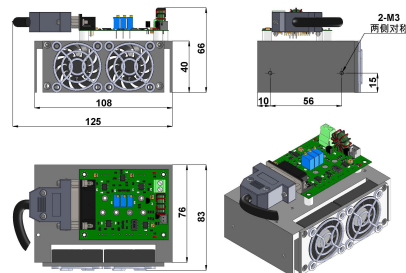


Power supply (3W)



PSU-6R-OEM

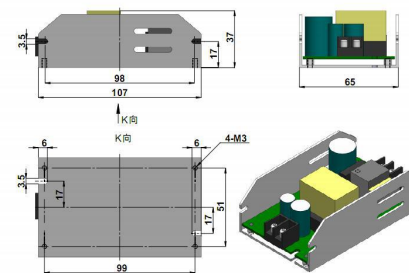
110(L)×62(W)×31(H) mm³, 0.6kg



PSU-6R-OEM-H

108(L)×83(W)×66(H) mm³, 1.6kg

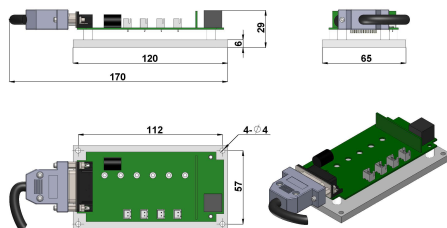
Adapter(3W)



12V8.3A

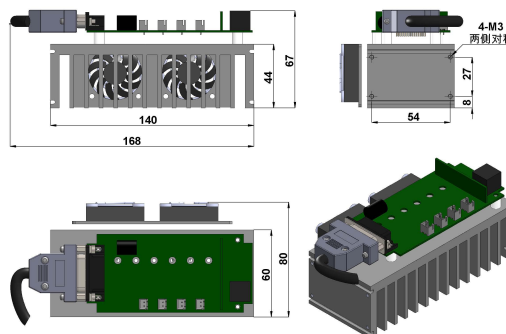
107(L)×65(W)×37(H) mm³, 0.4kg

Power supply (4-6W)



PSU-PN7-OEM

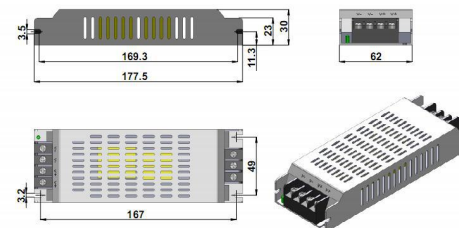
120(L)×65(W)×29(H) mm³, 0.3kg



PSU-PN7-OEM-H

140(L)×80(W)×67(H) mm³, 0.6kg

Adapter(4-6W)



12V15A

177.5(L)×62(W)×30(H) mm³, 0.5kg