



**OEM-GD-635 /3-6W**

**RED DIODE LASER  
At 635nm**

OEM diode red laser at 635nm is made features of ultra compact, long lifetime, low cost and easy operating, which is widely used in measurement, spectrum analysis, laser lighting show, etc.

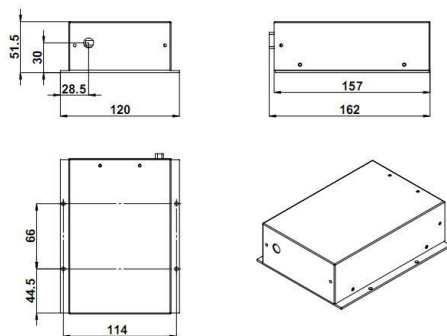


**SPECIFICATIONS**

Wavelength (nm)	635±5	
Operating mode	CW	
Output power (W)	3, ..., 6	
Power stability (rms, over 4 hours)	<1%, <3%, <5%	
Beam diameter at the aperture (mm)	~6×6	
Beam divergence, full angle (mrad)	<1.9×2.3	
Polarization direction	Horizontal+ Vertical	
Warm-up time (minutes)	<5	
Beam height from base plate (mm)	30(OEM-GD-635)	68.2(GD-635-HS)
Operating temperature (°C)	25+/-3(OEM-GD-635)	10-35(GD-635-HS)
Power supply (100-240VAC )	PSU-PN7-OEM/ PSU-PN7-OEM-H/ PSU-6R-OEM/ PSU-6R-OEM-H	
Modulation option	TTL/Analog 1Hz-5KHz, 1Hz-10KHz, 1Hz-30KHz, and TTL on/off	
Expected lifetime (hours)	10000	
Warranty	1Year	

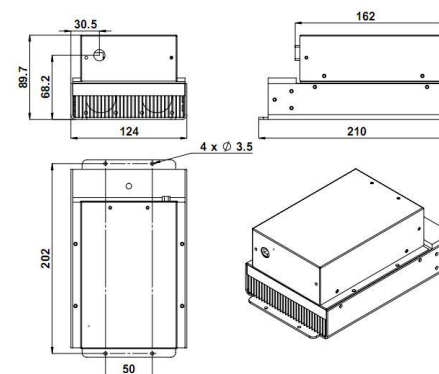


**Dimensions of Laser head**



**OEM-GD-635**

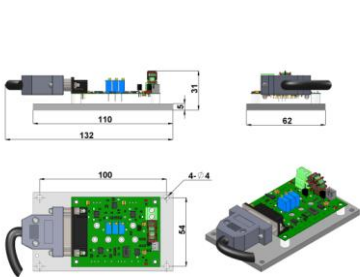
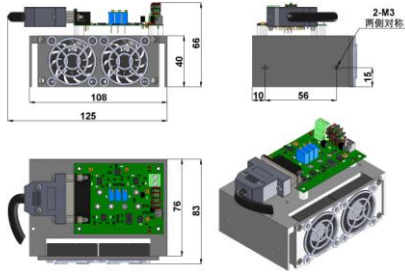
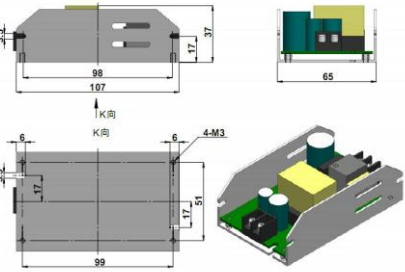
162(L)×120(W) ×51.5(H) mm<sup>3</sup>, 1.2 kg

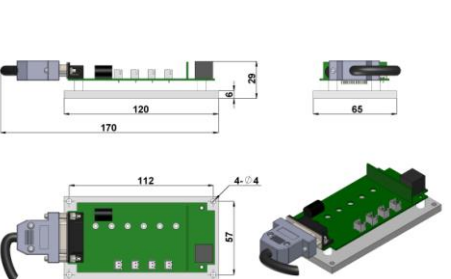
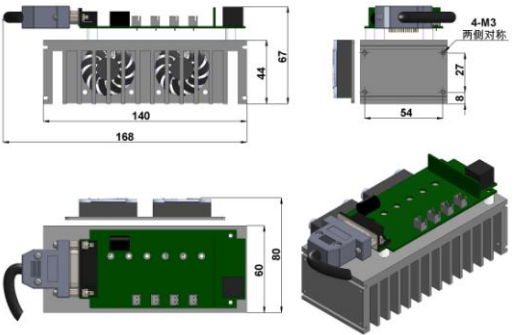
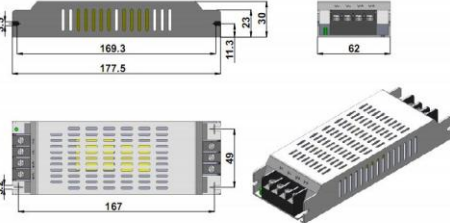


**GD-635-HS**

210(L)×124(W) ×89.7(H) mm<sup>3</sup>, 2.4kg



Power supply (3W)	Adapter(3W)
 <p data-bbox="398 687 577 719"><b>PSU-6R-OEM</b></p> <p data-bbox="353 738 607 762">110(L)×62(W) ×31(H) mm<sup>3</sup>, 0.6kg</p>	 <p data-bbox="1025 687 1227 719"><b>PSU-6R-OEM-H</b></p> <p data-bbox="1003 738 1249 762">108(L)×83(W) ×66(H) mm<sup>3</sup>, 1.6kg</p>
 <p data-bbox="1720 687 1832 719"><b>12V8.3A</b></p> <p data-bbox="1675 738 1921 762">107(L)×65(W) ×37(H) mm<sup>3</sup>, 0.4kg</p>	

Power supply (4-6W)	Adapter(4-6W)
 <p data-bbox="398 1321 577 1353"><b>PSU-PN7-OEM</b></p> <p data-bbox="353 1372 607 1396">120(L)×65(W) ×29(H) mm<sup>3</sup>, 0.3kg</p>	 <p data-bbox="1003 1321 1227 1353"><b>PSU-PN7-OEM-H</b></p> <p data-bbox="981 1372 1234 1396">140(L)×80(W) ×67(H) mm<sup>3</sup>, 0.6kg</p>
 <p data-bbox="1742 1329 1832 1361"><b>12V15A</b></p> <p data-bbox="1653 1380 1921 1404">177.5(L)×62(W) ×30(H) mm<sup>3</sup>, 0.5kg</p>	