

OEM-I-473 /1~800mW



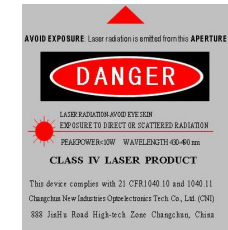
**LD PUMPED ALL-SOLID-STATE
BLUE LASER AT 473NM**

All solid state 473 nm blue laser is made features of ultra compact, long lifetime and easy operating, which is widely used in collimation, laser medical treatment, scientific experiment, optical instrument, laser display, laser lighting show, etc.

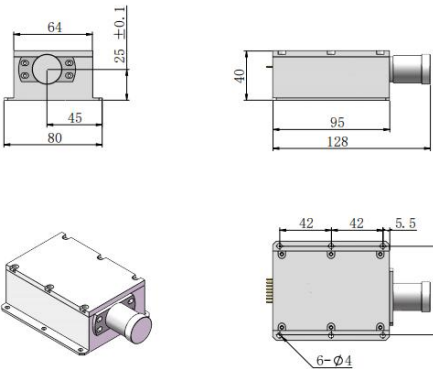
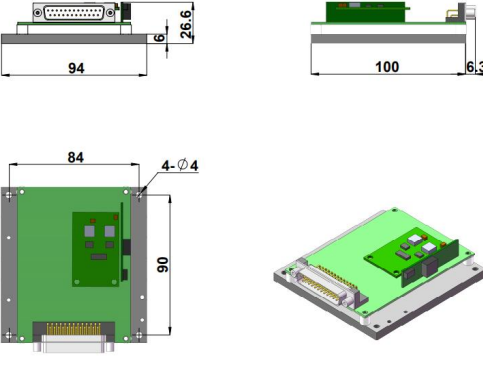
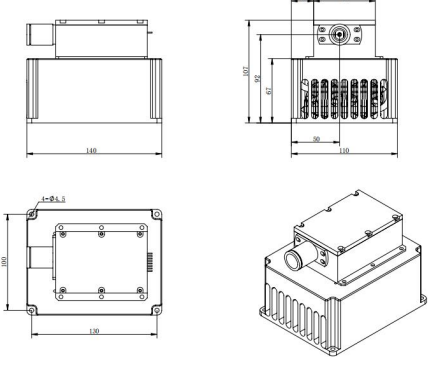
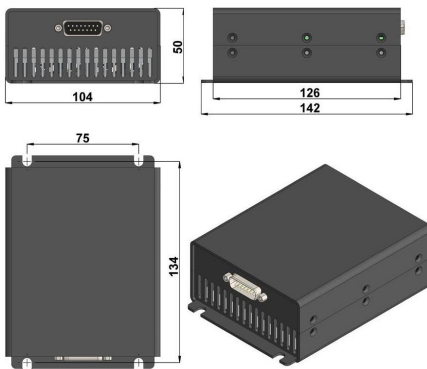


SPECIFICATIONS

Wavelength (nm)	473 ± 1	
Operating mode	CW	
Output power (mW)	>1, 100, ..., 800	
Power stability (rms, over 4 hours) at 25°C	<5%, <3%	
Transverse mode	Near TEM ₀₀	
Beam divergence, full angle (mrad)	~1.2	
Beam diameter at the aperture (mm)	~2.0	
Warm-up time (minutes)	<10	
Beam height from base plate (mm)	25 (OEM-I-473)	92 (I-473-HS)
Driver (12VDC 25A, power supply optional)	PSU-OEM-I	PSU-I-HS
TTL / Analog modulation	TTL or Analog with 1Hz-1kHz 1kHz-10kHz, 10kHz-30kHz optional	
Expected lifetime (hours)	10000	
Warranty period	1 year	



Note: The laser needs to be used on a heat sink with good heat dissipation.

OEM-I-473		I-473-HS	
Laser head	PSU-OEM-I (Driver)	Laser head	PSU-I-HS (Driver)
 <p>128 (L) × 80 (W) × 40 (H) mm³, 0.7 kg</p>	 <p>106.3(L) × 94 (W) × 26.6 (H) mm³, 0.3 kg</p>	 <p>140 (L) × 110 (W) × 107 (H) mm³, 2.7 kg</p>	 <p>142 (L) × 104 (W) × 50 (H) mm³, 0.8 kg</p>