



OEM-KD-462 20-30W

BLUE DIODE LASER  
At 462nm

OEM diode blue laser at 462nm is made features of ultra compact, long lifetime, low cost and easy operating, which is widely used in measurement, spectrum analysis, laser lighting show, etc.

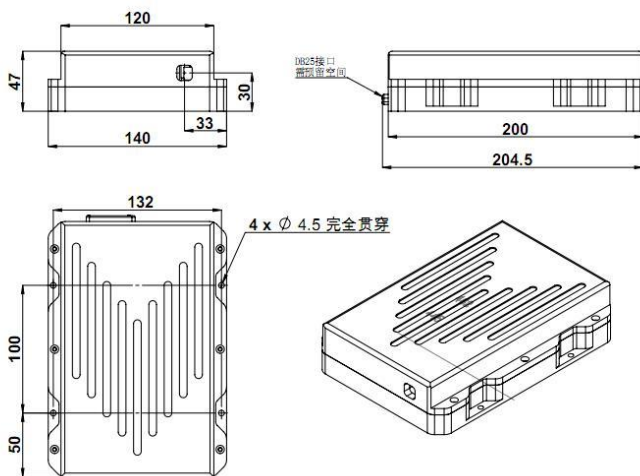


SPECIFICATIONS

Wavelength (nm)	462±5	
Output power (W)	20	30
Beam diameter at the aperture (mm)	4.5×7	6.5×7
Beam divergence, full angle (mrad)	~1.2	
Power stability (rms, over 4 hours)	<1%, <3%, <5%	
Polarization direction	Horizontal+ Vertical	
Warm-up time (minutes)	<5	
Beam height from base plate (mm)	30 (OEM-KD-462)	93.5(KD-462-HS)
Operating temperature (°C)	25+/-3 (OEM-KD-462)	15-35(KD-462-HS)
Power supply (90-264VAC or 12V30A)	PSU-PN7-OEM	PSU-PN7-OEM-H
Modulation option	TTL/Analog 1Hz-5KHz, 1Hz-10KHz, 1Hz-100KHz, and TTL on/off	
Expected lifetime (hours)	10000	
Warranty	1 year	

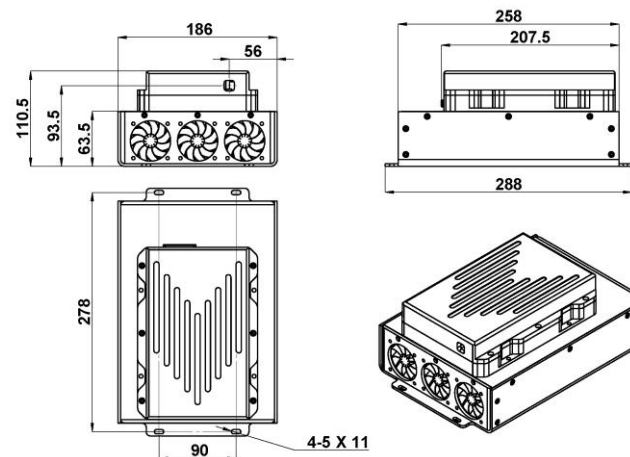


Dimensions of Laser head



OEM-KD-462  
204.5(L)×140(W)×47(H)mm<sup>3</sup>

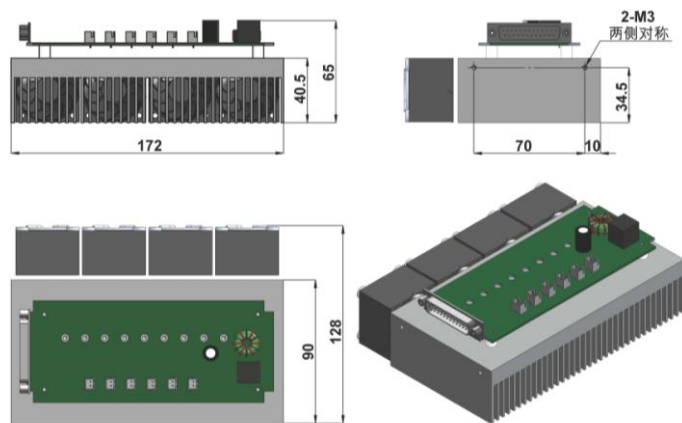
Dimensions of Laser head



KD-462-HS  
288(L)×186(W)×110.5(H)mm<sup>3</sup>

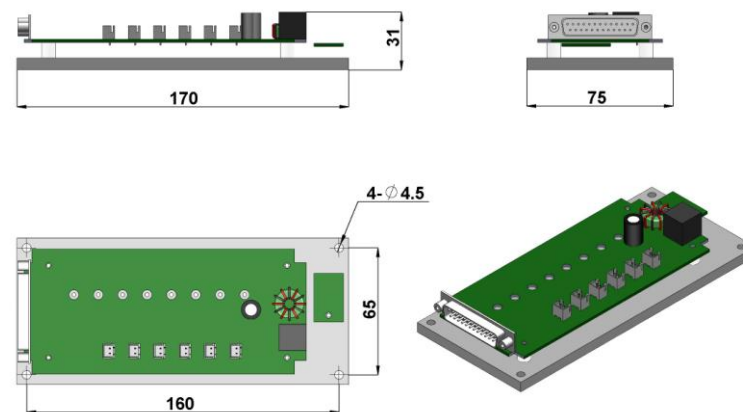


Power Supply



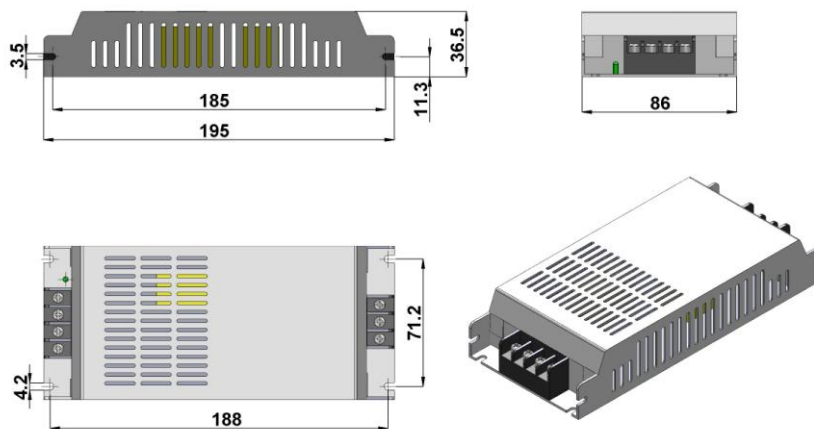
PSU-PN7-OEM-H  
172(L)×128(W)×65(H)mm<sup>3</sup>

Adapter



PSU-PN7-OEM  
170(L)×75(W)×31(H)mm<sup>3</sup>

Adapter



12V30A  
195(L)×86(W)×36.5(H)mm<sup>3</sup>