



OEM-TD-635/ 21-30W

**RED DIODE LASER**  
**At 635nm**

OEM diode red laser at 635nm is made features of ultra compact, long lifetime, low cost and easy operating, which is widely used in measurement, spectrum analysis, laser lighting show, etc.

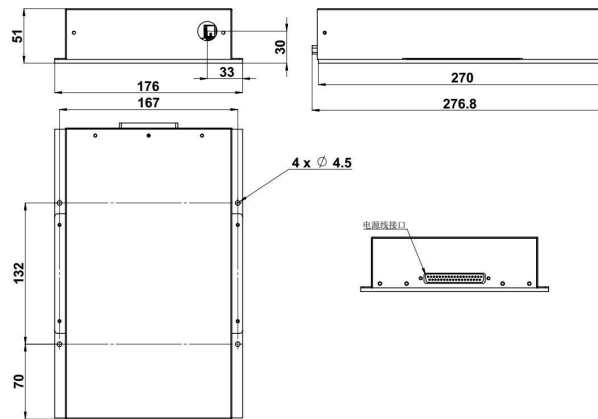


**SPECIFICATIONS**

Wavelength (nm)	635±5	
Output power (W)	>21, ... ,30	
Beam diameter at the aperture (mm)	8.5×13	
Beam divergence, full angle (mrad)	~1.8	
Power stability (rms, over 4 hours)	<1%, <3%, <5%	
Polarization direction	Horizontal+ Vertical	
Warm-up time (minutes)	<5	
Beam height from base plate (mm)	30 (OEM-TD-635)	93.5(TD-635-HS)
Operating temperature (°C)	25+/-3 (OEM-TD-635)	15-35(TD-635-HS)
Power supply (90-264VACor12V30A)	PSU-PN7-OEM-H /PSU-PN7-OEM	
Modulation option	TTL/Analog 1Hz-5KHz, 1Hz-10KHz, 1Hz-100KHz, and TTL on/off	
Expected lifetime (hours)	10000	
Warranty	1 year	



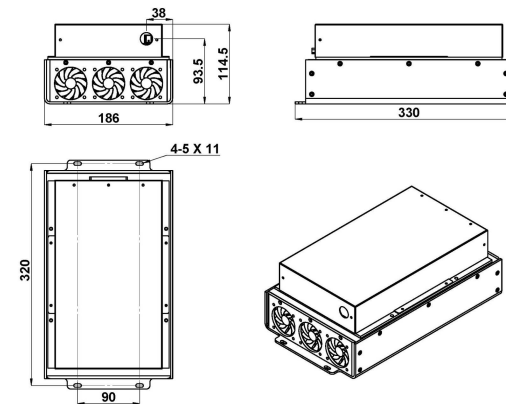
**Dimensions of Laser head**



**OEM-TD-635**

276.8(L)×176(W)×51(H)mm<sup>3</sup>

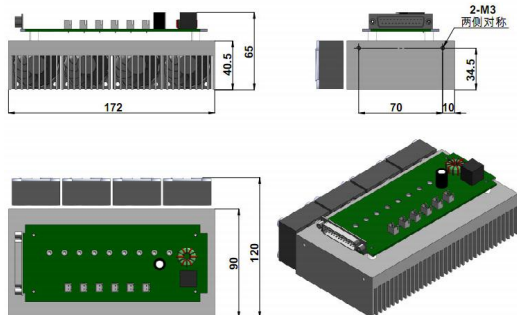
**Dimensions of Laser head**



**TD-635-HS**

330(L)×186(W)×114.5(H)mm<sup>3</sup>

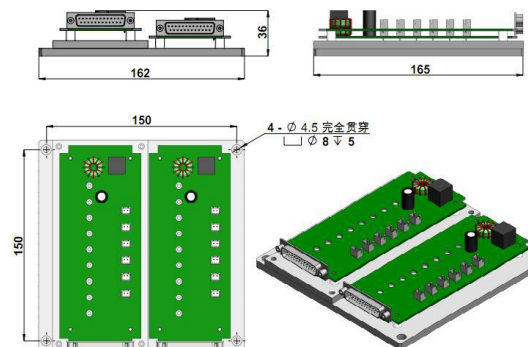
Power Supply



PSU-PN7-OEM-H (TWO PCS)

172(L)×120(W)×65(H)mm<sup>3</sup>

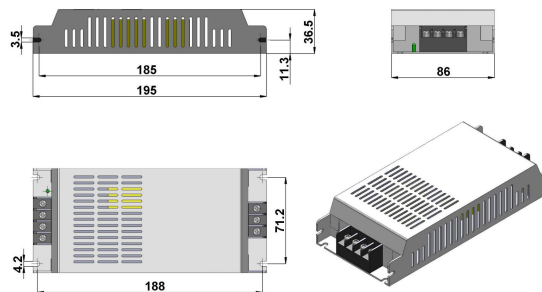
Power Supply



PSU-PN7-OEM

165(L)×162(W)×36(H)mm<sup>3</sup>

Adapter



12V30A

195(L)×86(W)×36.5(H)mm<sup>3</sup>