

OEM-W-532/6~18W



LD PUMPED ALL-SOLID-STATE GREEN LASER

All solid state 532nm green laser is made features of ultra compact, long lifetime and easy operating, which is widely used in collimation, laser medical treatment, scientific experiment, optical instrument, laser display, laser lighting show, etc.



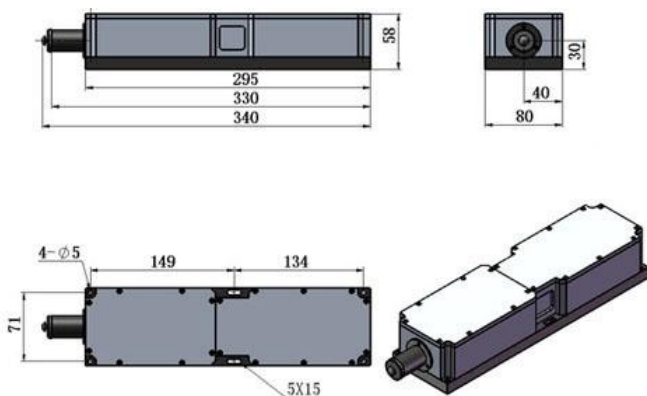
SPECIFICATIONS

Wavelength (nm)	532±1
Model	OEM-W
Operating mode	CW
Output power (W)	6, 7, ...,18
Power stability (rms, over 4 hours)	<3%, <5%
Transverse mode	Near TEM ₀₀
Beam divergence, full angle (mrad)	<1.5
Beam diameter at the aperture (mm)	~5.0
Warm-up time (minutes)	<10
Beam height from base plate (mm)	30
Operating temperature (°C)	22.5+/-2.5
Driver (12VDC 25A)	PSU-OEM-W
TTL / Analog modulation	TTL or Analog with 1Hz-1kHz 1kHz-10kHz, 10kHz-30kHz optional
Expected lifetime (hours)	10000
Warranty time	1 year



Note: The laser needs to be used on a heat sink with good heat dissipation.

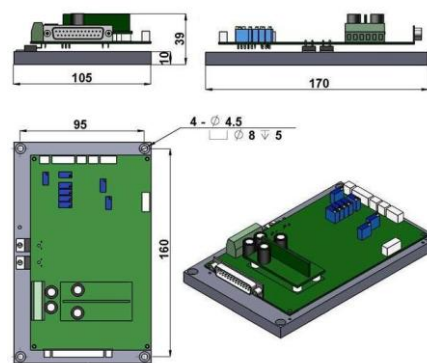
OEM-W-532



340 (L) ×80 (W) ×58 (H) mm³, 2.8 kg

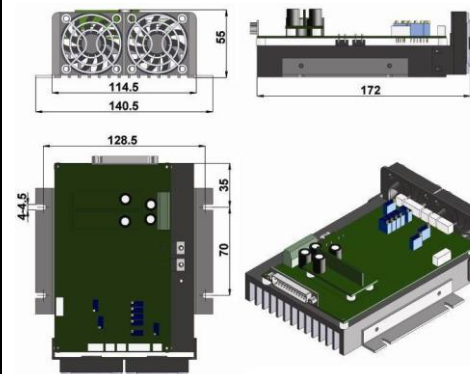
PSU-OEM-W

No heat dissipation



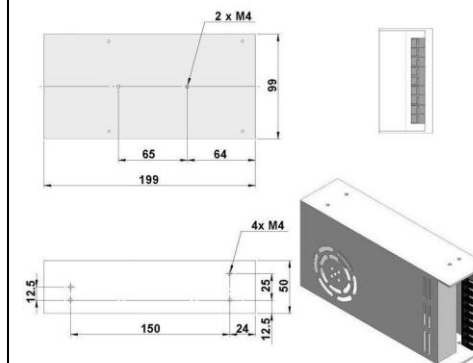
170 (L) ×105 (W) ×39 (H) mm³, 0.7 kg

A heat dissipation



172 (L) ×140.5 (W) ×55 (H) mm³, 0.8 kg

Accessory
(Power supply 100-240VAC)



12VDC 25A: 199 (L) ×99 (W) ×50 (H) mm³, 0.9 kg