

OEM-W-640/3000-6800mW

OEM RED DIODE LASER AT 640NM





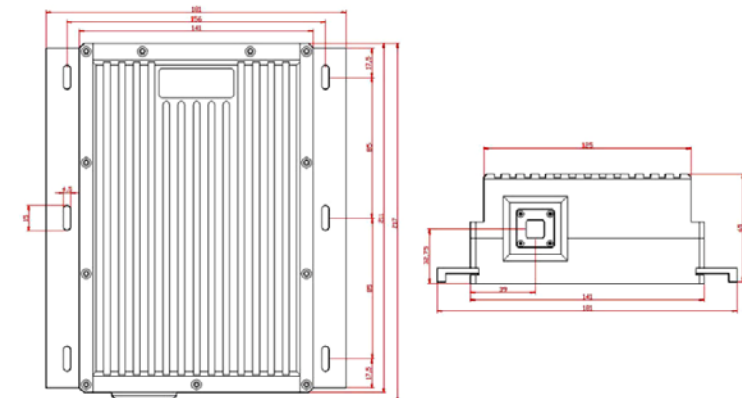
OEM diode 640 nm red laser is made features of ultra compact, long lifetime, low cost and easy operating. It's easy to be installed in customer's equipment.



SPECIFICATIONS

| | |
|--|---|
| Wavelength (nm) | 640±5 |
| Output power (mW) | >3000, 4000, 5000, 6800 |
| Operating mode | CW |
| Power stability (rms, over 4 hours) at 25℃ | <1%, <3%, <5% |
| Warm-up time (minutes) | <5 |
| M ² factor | 11/10 |
| Beam divergence, full angle (mrad) | 1.6 |
| Beam diameter at the aperture (mm) | ~5×5 |
| Beam height from base plate (mm) | 32.75 |
| Operating temperature (℃) | 22.5+/-2.5 |
| Expected lifetime (hours) | 10000 |
| Power supply | PSU-OEM-640 |
| Modulation option | TTL/Analog 1Hz-5KHz, 1Hz-10KHz, 1Hz-30KHz, and TTL on/off |
| Peak power consumption | 12V/6A, 24V/3A |
| Warranty time | 24months |



| OEM-W-640 | PSU-OEM-640 | Accessories | |
|--|--|--|--|
|  211(L)×141(W)×65(H) mm ³ |  115(L)×100(W)×85(H) mm ³ |  12VDC Adapter 202(L)×110(W)×50(H) mm ³ |  24VDC Adapter 160(L)×100(W)×40(H) mm ³ |
|  | | | |