

OEM-XD-450/13-28W

**OEM BLUE DIODE LASER
AT 450nm**

OEM diode laser 450 nm blue laser is made features of ultra compact, long lifetime, low cost and easy operating. It's easy to be installed in customer's equipment.

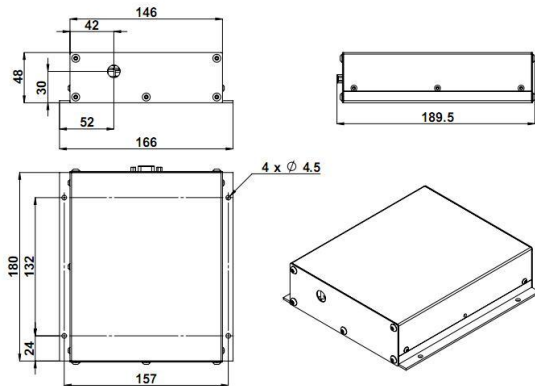


SPECIFICATIONS

Wavelength (nm)	450±10	
Output power (W)	>13, ... ,>28,	
Operating mode	CW	
Power stability (rms, over 4 hours) at 25℃	<1%, <3%, <5%	
Beam diameter at the aperture (mm)	~7.5×7	
Beam divergence, full angle (mrad)	<1×2	
Polarization direction	Horizontal+ Vertical	
Warm-up time (minutes)	<5	
Beam height from base plate (mm)	30 (OEM-XD-450)	93.5 (XD-450-HS)
Operating temperature (℃)	25+/-3 (OEM-XD-450)	10-35 (XD-450-HS)
Power supply	PSU-PN7-OEM / PSU-PN7-OEM-H/ PSU-6R-OEM-H	
Expected lifetime (hours)	10000	
Modulation option	TTL/Analog 1Hz-5KHz, 1Hz-10KHz, 1Hz-100KHz, and TTL on/off	
Warranty	1 year	

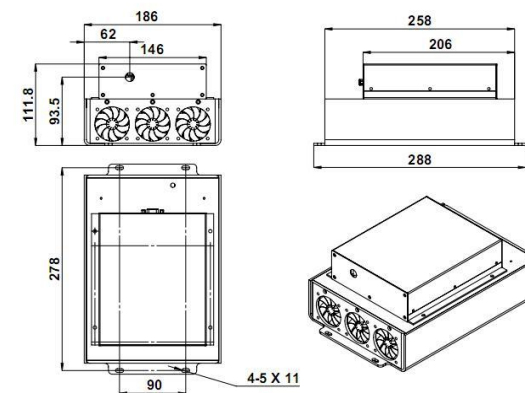


Dimensions of Laser head



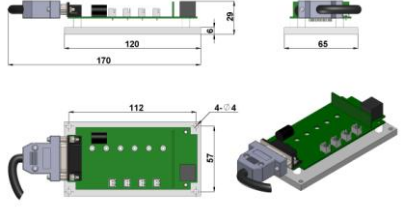
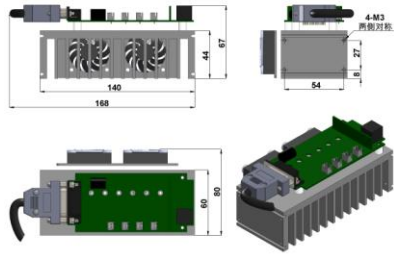
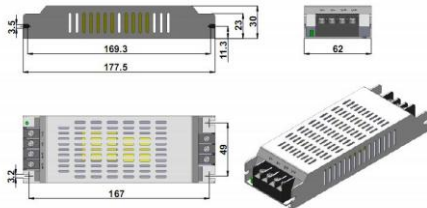
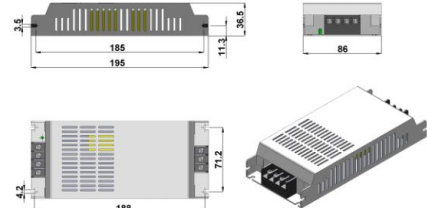
OEM-XD-450

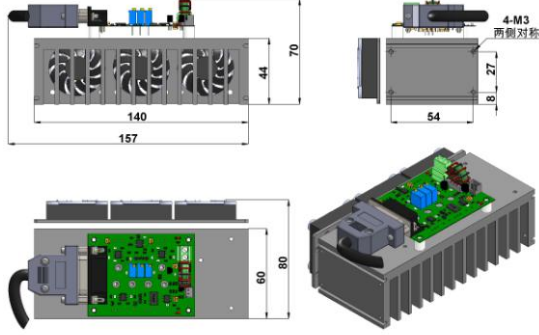
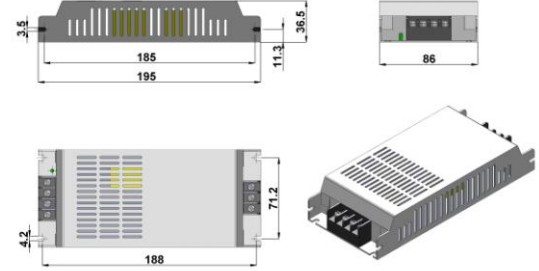
189.5(L)×166(W) ×48(H) mm³, 2.7kg



XD-450-HS

288(L)×186(W) ×111.8(H) mm³, 5.4kg

Power Supply (13-20W)		Adapter (13-15W)	Adapter (16-20W)
 <p>PSU-PN7-OEM 120(L)×65(W)×29(H) mm³, 0.6kg</p>	 <p>PSU-PN7-OEM-H 140(L)×80(W)×67(H) mm³, 0.6kg</p>	 <p>12V15A 177.5(L)×62(W)×30(H) mm³, 0.4kg</p>	 <p>24V15A 195(L)×86(W)×36.5(H) mm³, 0.6 kg</p>

Power Supply (20-28W)	Adapter (20-28W)
 <p>PSU-6R-OEM-H 140(L)×80(W)×70(H) mm³, 0.6kg</p>	 <p>24V15A 212(L)×107(W)×49(H) mm³, 0.6 kg</p>