

Laser Power Meter



PD3000-350-TP100

Features:

Wavelength range: 350 -1100nm

Power range: 1uW-3000mW


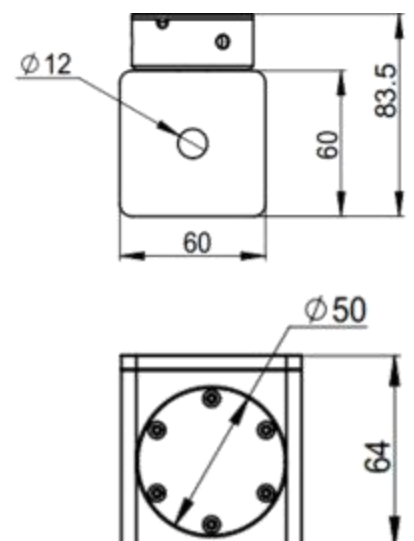
Active area diameter: 12mm

SMA905/FC fiber connector (Optional)

SPECIFICATIONS

Header Model	TP100
Probe Model	PD3000-350
Power Range	1uW-3000mW
Sensitivity Diameter	12mm
Probe Material	Si
Wavelength Range	350-1100nm
Measurement Uncertainty	±2%
Resolution	1uW
Sensitivity	1uW
Accuracy	< ±2%
Power Supply	18650(2batteries)
Computer Interface	USB 1.1 and USB 2.0
Instrument Power	-100-240 VAC, 50/60 Hz, DC 12V-3.34A
Temperature (Operating)	5°C - 45°C (41°F - 113°F)
Temperature (Storage)	-20°C - 70°C (-4°F - 158°F)
Datasheet	1 year

a*: Before testing, please pay attention to the spot size and calculate the maximum average power density. These two parameters must be within the range of the above table. If the probe is damaged due to parameters beyond the range of above table, it is not covered by the warranty.

Header TP100	Probe PD3000-350
	
<p>Website: http://www.cnilaser.com E-mail: sales@cnilaser.com Tel: +86-431-85603799 Fax: +86-431-87020258</p>	