

PGL-D8-445/1~30mW

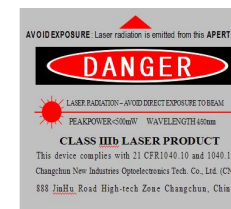
BLUE LASER MODULE AT 445nm


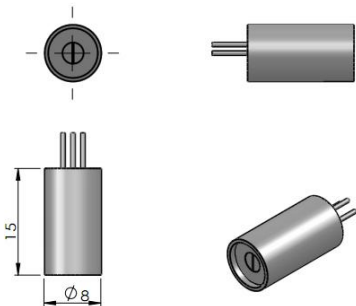
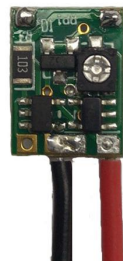
PGL-D8-445 is made features of wide temperature operating (no TEC), high reliability, and low cost, which is widely used in orientation, alignment and measurement, etc.



SPECIFICATIONS

Wavelength (nm)	445±10
Operating mode	CW
Output power (mW)	>1, 10, 15,...,30
Transverse mode	Near TEM ₀₀
Beam diameter at the aperture (1/e ² , mm)	~3.5
Beam divergence, full angle (mrad)	<1.0
Operating temperature (°C)	15~30
Power supply	DC 6V PCB
Expected lifetime (hours)	10000
Warranty period	6 months
Note: The shell has non-polarity.	



PGL-D8-445	Dimensions	6VPCB
 <p style="text-align: center;">$\Phi 8 \times 15(L)$ mm², 1.5g</p>		 <p style="text-align: center;">$13(L) \times 10(W)$ mm²</p>