

PGL-D8-980/1~30mW

INFRARED LASER MODULE AT 980 nm


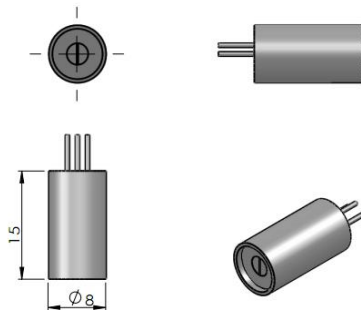
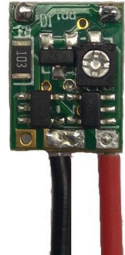
PGL-D8-980 is made features of wide temperature operating (no TEC), high reliability, and low cost, which is widely used in orientation, alignment and measurement, etc.



SPECIFICATIONS

Wavelength (nm)	980±10
Operating mode	CW
Output power (mW)	>1, 10, ..., 30
Transverse mode	Near TEM ₀₀
Beam diameter at the aperture (1/e ² , mm)	~3.0
Beam divergence, full angle (mrad)	<6.0
Operating temperature (°C)	15~30
Power supply	DC 3V PCB
Expected lifetime (hours)	10000
Warranty period	6 months
Note: The shell is positive electrodes.	



PGL-D8-980	Dimensions	3VPCB
 <p>Φ8×15(L) mm², 1.5g</p>		 <p>13(L) × 10(W) mm²</p>