

PGL-FP Series



Single mode pigtail laser module is made features of ultra compact, the transverse mode can reach TEM₀₀ after matching the end collimator.

SYSTEM SPECIFICATIONS*

Wavelength (nm)	Power (mW)	Fiber core (μm)	connector	Fiber Length	Shielded cable	Transverse mode
405±10	1-50	3	FC/SMA905	>80cm	0.9mm	TEM ₀₀
445±10	1-50	3				
460±10	1-50	3				
480±5	1-20	3				
488±10	1-30	3				
495±5	1-20	3				
505±10	1-30	3				
520±10	1-50	3				
633±5	1-50	4				
635±10	1-100	4				
658±10	1-100	4				
670±10	1-5	4				
685±10	1-20	4				
785±10	1-50	5				
808±10	1-30	5				
830±10	1-100	5				
850±15	1-70	5				
880±10	1	5				
905±10	1-70	5				
940±15	1-100	5				
980±10	1-10	6				
1064±15	1-10	6				
1310±10	1-15	9				
1550±10	1-10	9				

ELECTRICAL SPECIFICATIONS

Operating voltage(internal PCB)	5-12VDC
Operating voltage(external PCB)	5-12VDC
Modulation optional	TTL or Analog0-3V,0-5V

*All testing data is under the condition of temperature 25 ℃

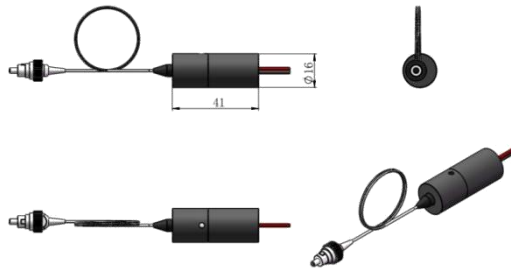
ENVIRONMENTAL CONDITIONS

Operating temperature	°C	10°C to 35°C
Storage temperature	°C	-10°C to 70°C
Humidity	%	<90 %, non-condensing
Dissipated heat	W	<1.5W

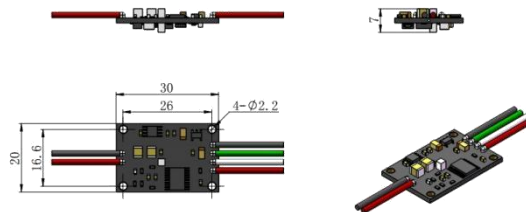
MECHANICAL SPECIFICATIONS

Diameter head (external PCB)	mm	Φ16×41mm ²
Diameter head (internal PCB)	mm	Φ26×80mm ²
Material		Aluminum

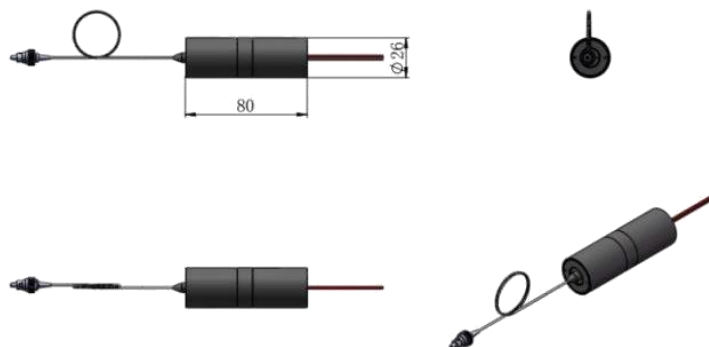
Dimensions of laser(Φ16×41mm²)



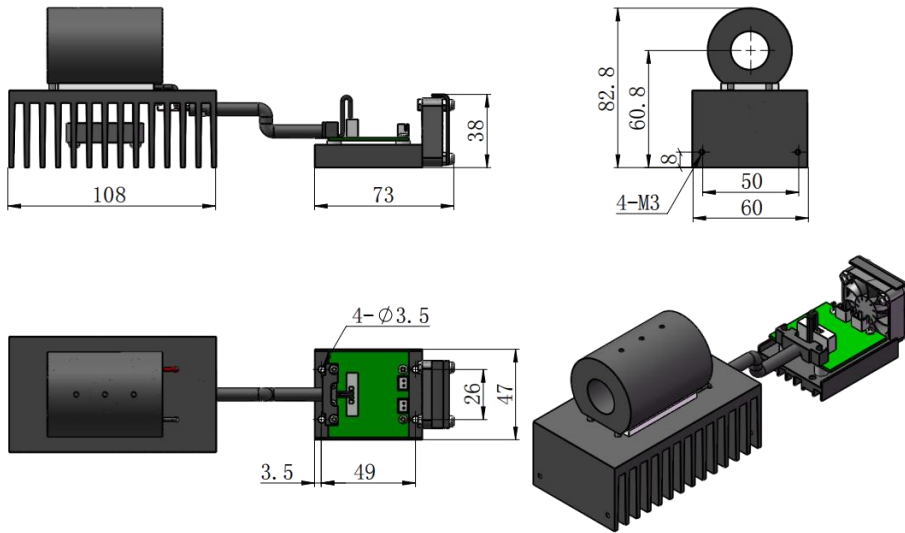
Dimensions of external PCB(20×30mm²,5-12VDC,TTL and Analog)



Dimensions of laser internal PCB(Φ26×80mm²,5-12VDC,TTL and Analog) **Recommended**

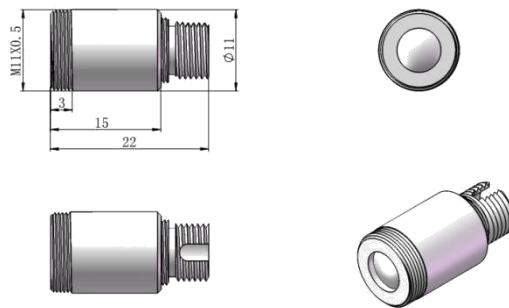


Dimensions of TEC(mm)



Please work with TEC(5VDC) to maintain the stability under 1% .

Dimensions of collimator(mm)



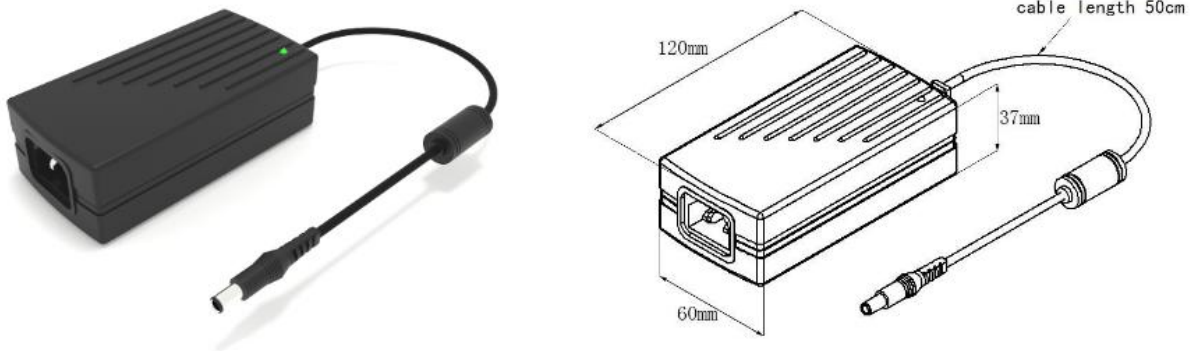
Beam diameter at the aperture: $\sim 2(1/e^2, \text{mm})$

Beam divergence, full angle: $< 1(\text{mrad})$

POWER ADAPTER**

Input		85-264V AC 47/63Hz
Output		DC 5V 5A
Adapter size	mm	120 x 60 x 37mm
Adapter cable length	m	0.5m
Cable connector		Easy connect/disconnect jack

Dimensions of power adapter (mm):



The Universal Diode Laser Module Power Supply with CE-marked provide a well-regulated 5 VDC. This auto ranging power module can be connected to any 85-264 VAC 47/63 Hz supply. There is an IEC 60320 input socket and a 0.5m output cable terminated with an easy connect/disconnect jack socket. The Headset connector which could also be found in accessories is compatible with the power supply jack.

**CNI provides other types of power adapters to meet customer demand, please contact sales for details.