



PGL-I-R-1064/1~300mW

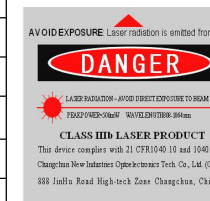
**LD PUMPED
ALL-SOLID-STATE
INFRARED LASER**


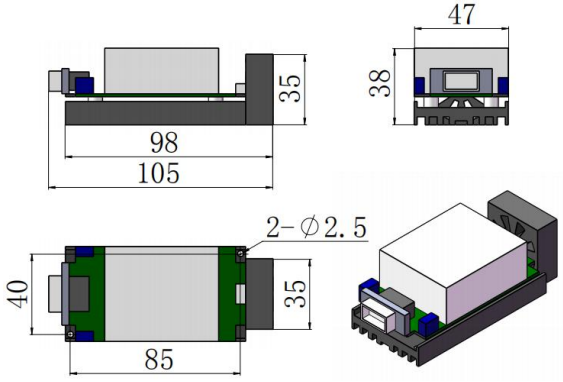
All solid state 1064 Infrared laser is made features of ultra compact, long lifetime, low cost and easy operating, which is widely used in collimation, laser medical treatment, scientific experiment, optical instrument, etc.



SPECIFICATIONS

Wavelength (nm)	1064±1
Operating mode	CW
Output power (mW)	>1, 5, 10, 20, ... , 300
Power stability	<5% , <10%
Transverse mode	TEM ₀₀
Beam diameter at the aperture (1/e ² , mm)	~1.5
Beam divergence, full angle (mrad)	<1.2
Warm-up time (minutes)	<10
Operating temperature (°C)	10~35
Power supply(90~264VAC)	PSU-V-OEM
TTL/Analog modulation	TTL on/off, 1Hz-1KHz, 1KHz-10KHz, 10KHz-30KHz; and Analog modulation option
Expected lifetime (hours)	10000
Warranty	1 year
Note: The shell has non-polarity	



PGL-I-R-1064	PSU-V-OEM
 <p>Φ20×65(L)mm², 0.2 kg</p>	 <p>105 (L) × 47(W) × 38(H) mm³, 0.2 kg</p>