



PGL-III-1342/5~500mW

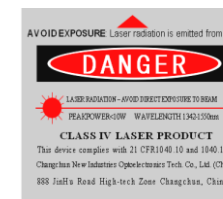
PORTABLE INFRARED LASER AT 1342nm


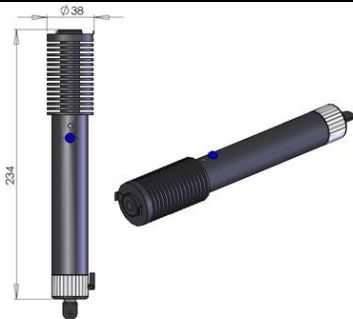

PGL-III-1342 is made features of small size, driven by battery, special safety parts design.



SPECIFICATIONS

Wavelength (nm)	1342±1
Operating mode	CW
Output power (mW)	>5, 10, 15, 20, ... , 500
Transverse mode	TEM ₀₀
Beam diameter at the aperture (1/e ² , mm)	~1.5
Beam divergence, full angle (mrad)	<1.5
Switch	Push button
Surface color	Black
Power Consumption	DC 3V
Power supply	2×“C”size 1.5V Alkaline batteries
Expected lifetime (hours)	5000
Warranty	6 months
Remark	LED indicator, remote connector and key switch are available.



PGL-III-1342	Dimensions	Accessory
 <p>Φ38×234(L) mm², 0.3 kg</p>		 <p>2×“C”size/1.5V batteries</p>