



PGL-III-A-473/1~50mW

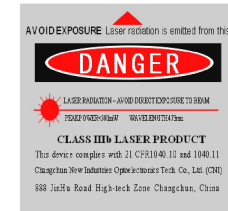
**PORTABLE BLUE LASER
AT 473nm**


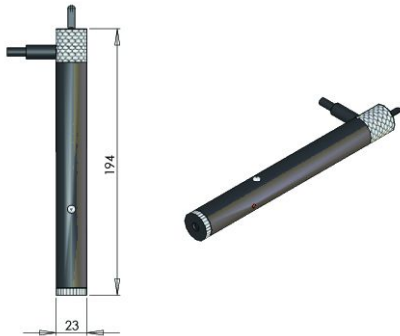

PGL-III-A-473 is noticeable blue portable laser, in addition, it is FDA approved.



SPECIFICATIONS

Wavelength (nm)	473±1
Operating mode	CW
Output power (mW)	>1, 5, 10.....50
Transverse mode	TEM ₀₀
Beam diameter at the aperture (1/e ² , mm)	~1.5
Beam divergence, full angle (mrad)	<1.2
Switch	Push button
Surface color	Black
Power Consumption	DC 3V
Power supply	1×“CR123A 3V” Lithium battery
Expected lifetime (hours)	5000
Warranty	6 months



PGL-III-A-473	Dimensions	Accessory
 <p>Φ23×194(L) mm³, 0.165 kg</p>		 <p>CR123a lithium battery (1pcs)</p>