



PGL-III-C-450/5~50mW

PORTABLE BLUE LASER AT 450nm


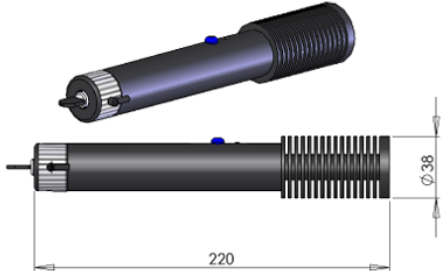

PGL-III-C-450 is made features of small size, high output power, long lifetime in portable laser, and special safety design to ensure security.



SPECIFICATIONS

Wavelength (nm)	450±5
Operating mode	CW
Output power (mW)	>5, 10, 20, 30, ... , 50
Transverse mode	Near TEM ₀₀
Beam diameter at the aperture (1/e ² , mm)	~3.5
Beam divergence, full angle (mrad)	<1.0
Operating temperature (°C)	0~40
Switch	Push button
Surface color	Black
Power Consumption	DC 6V
Power supply	2×“CR123A 3V” Lithium batteries
Expected lifetime (hours)	5000
Warranty	6 months
Remark	LED indicator, remote connector and key switch are available.



PGL-III-C-450	Dimensions	Accessory
 Φ38×220(L) mm ² , 0.3 kg		 2×CR123A/3V lithium battery