

PGL-III-C-473/5~80mW

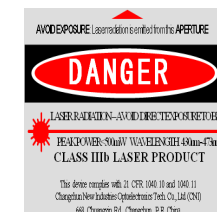
PORTABLE LASER
AT 473nm

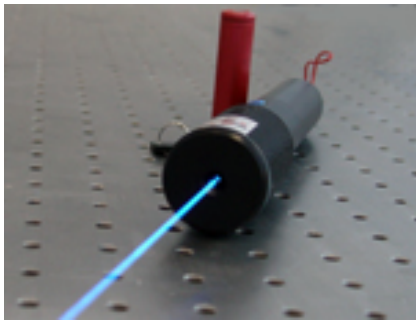
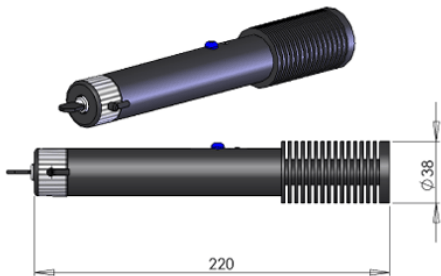

PGL-III-473 is the first blue laser pointer with FDA in the world. It is novel, unique and amazing.



SPECIFICATIONS

| | |
|------------------------------------|---|
| Wavelength (nm) | 473 ± 1 |
| Output power (mW) | >5, 10, 20, 30, ..., 80 |
| Transverse mode | TEM ₀₀ |
| Operating mode | CW |
| Beam divergence, full angle (mrad) | <1.5 |
| Beam diameter at the aperture (mm) | ~1.5 |
| Switch | Push button |
| Surface color | Black |
| Power Consumption | DC 3.6V |
| Power supply | 1×“No. 18650” Lithium battery |
| Expected lifetime (hours) | 5000 |
| Warranty | 6 months |
| Remark | LED indicator, remote connector and key switch are available. |



| PGL-III-C-473 | Dimensions | Accessory |
|--|--|---|
|  <p>Φ38×220(L) mm³, 0.3 kg</p> |  |  |