



PGL-III-M-447/5~500mW

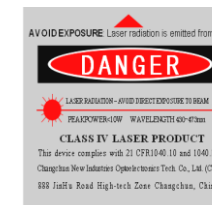
### PORTABLE BLUE LASER AT 447nm

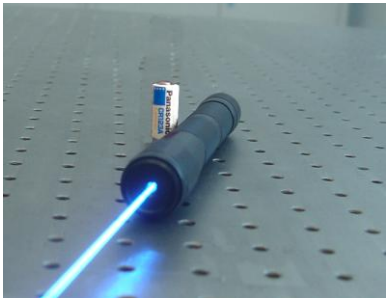


PGL-III-M 447nm is made features of small size, high output power, long lifetime in portable laser, and special safety design to ensure security.



#### SPECIFICATIONS

Wavelength (nm)	447±10
Operating mode	CW
Output power (mW)	>5, 10, 20,30, ..., 500
Transverse mode	TE <sub>00</sub>
Beam diameter at the aperture (1/e <sup>2</sup> , mm)	~2.0×4.0
Beam divergence, full angle (mrad)	<1.5
Operating temperature (°C)	0~40
Switch	Push button in the end cap
Surface color	Black
Power Consumption	DC 6V
Power supply	2×“CR123A 3V” Lithium batteries
Expected lifetime (hours)	5000
Warranty	6 months
Remark	LED indicator, remote connector and key switch are available.



PGL-III-M-447	Dimensions	Accessory
 Φ30×200(L) mm <sup>2</sup> , 0.2 kg		 2×“CR123A” Li batteries and charger