



PGL-III-M-473/1~50mW

PORTABLE BLUE LASER AT 473nm

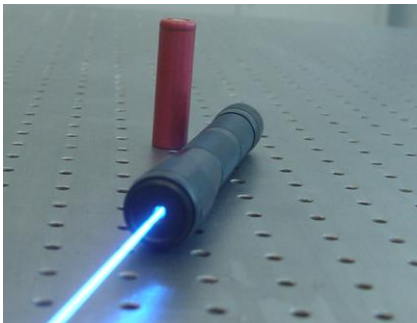


PGL-III-M 473nm is made features of small size, high output power, long lifetime in portable laser, and special safety design to ensure security.



SPECIFICATIONS

Wavelength (nm)	473±1
Operating mode	CW
Output power (mW)	>1, 5, 10, ..., 50
Transverse mode	TEM ₀₀
Beam diameter at the aperture (1/e ² , mm)	~1.5
Beam divergence, full angle (mrad)	<1.2
Switch	Push button in the end cap
Surface color	Black
Power Consumption	DC 3.6V
Power supply	1×“No. 18650” Lithium battery
Expected lifetime (hours)	5000
Warranty	6 months
Remark	LED indicator, remote connector and key switch are available.



PGL-III-M-473	Dimensions	Accessory
 <p>Φ30×200(L) mm², 0.2 kg</p>		 <p>1×“No. 18650” Li batteries and charger</p>