



PGL-III-M-520/5~500mW

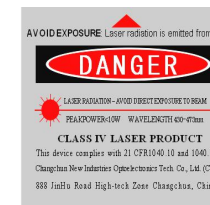
**PORTABLE GREEN LASER
AT 520nm**

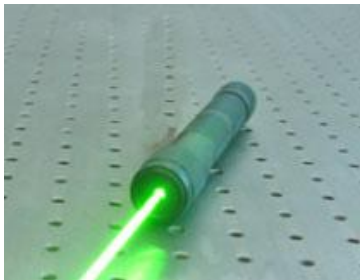


PGL-III-M 520nm is made features of small size, high output power, long lifetime in portable laser, and special safety design to ensure security.



SPECIFICATIONS

Wavelength (nm)	520±5
Operating mode	CW
Output power (mW)	>5, 10, 20,30, ... , 500
Transverse mode	TE ₀₀
Beam diameter at the aperture (1/e ² , mm)	~2.0×4.0
Beam divergence, full angle (mrad)	<1.5
Operating temperature (°C)	0~40
Switch	Push button in the end cap
Surface color	Black
Power Consumption	DC 6V
Power supply	2×“CR123A 3V” Lithium batteries
Expected lifetime (hours)	5000
Warranty	6 months
Remark	LED indicator, remote connector and key switch are available.



PGL-III-M-520	Dimensions	Accessory
 <p>Φ30×200(L) mm², 0.2 kg</p>		 <p>2×“CR123A” Li batteries and charger</p>