



PGL-III-M-640/5~100mW

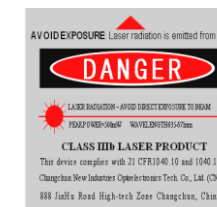
**PORTABLE RED LASER
AT 640 nm**

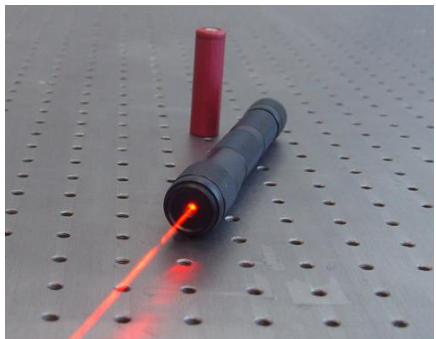


PGL-III-M-640nm is made features of small size, high output power, long lifetime in portable laser, and special safety design to ensure security.



SPECIFICATIONS

Wavelength (nm)	640±5
Operating mode	CW
Output power (mW)	>5, 10, 15, ... , 100
Transverse mode	Near TEM ₀₀
Beam diameter at the aperture (1/e ² , mm)	~3.0
Beam divergence, full angle (mrad)	<1.0
Operating temperature (°C)	0~40
Switch	Push button in the end cap
Surface color	Black
Power Consumption	DC 3.6V
Power supply	1×“No. 18650” Lithium battery
Expected lifetime (hours)	5000
Warranty	6 months
Remark	LED indicator, remote connector and key switch are available.



PGL-III-M-640	Dimensions	Accessory
 <p>Φ28×180(L) mm², 0.2 kg</p>		 <p>1×“No. 18650” Li batteries and charger</p>