

## ***PGL-LF2 Series Diode Lasers***



### ***PGL-LF2 Series Diode Lasers***

The laser module is made features of uniform power density, high straightness and good stability line beam.

The right working distance can easily be adjusted with the tool-free manual focus option.

PGL-LF1 Series Diode Lasers with its industrial-suited design and stable performance works perfectly as an integrated module in measurement, spectrum analysis, laser lighting show, etc.

### ***FEATURES***

- Line width adjustable
- Long lifetime
- Low cost
- Easy operating

### ***APPLICATIONS***

- Measurement
- Spectrum analysis
- Laser lighting show

## SYSTEM SPECIFICATIONS\*

Wavelength	nm	405	450	520	635-660	808	830-1550
Wavelength tolerance	nm (typical)	±5	±5	±5	±5	±10	±10
Output power	mW	1-150	1-50	1-50	1-130	1-100	1-10
Line width	<250mm	40-200um					
Line width	@1m	< 1.0mm					
Fan angles		7°、10°、15°、30°、45°、50°、60°、75°、90°					
Laser operation mode		CW					
Expected lifetime	hours	10,000					

## ELECTRICAL SPECIFICATIONS

Operating voltage	DC 6V	DC 6V	DC 7V	DC 3V	DC 3V	DC 3V
Connection	Cable with flying leads					

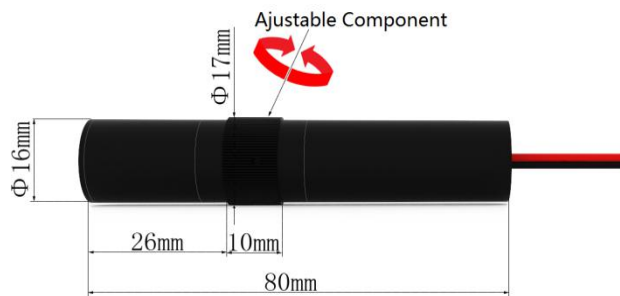
## ENVIRONMENTAL CONDITIONS

Operating temperature	°C	-10°C to +45°C
Storage temperature	°C	-20°C to +80°C
Humidity	%	< 90 %, non-condensing
Dissipated heat	W	< 1 W

## MECHANICAL SPECIFICATIONS

Weight	g	35g
Length	mm	80 mm
Diameter head Ø	mm	16 mm
Material		Aluminum

### Dimensions of laser and PCB (mm):



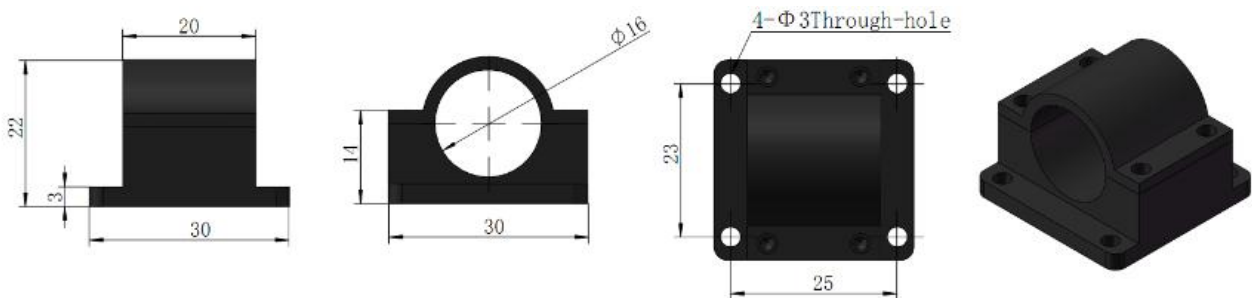
## KEYNOTES

\*All testing data under the conditions of temperature 25°C.

## Accessories

### MODULE MOUNT SPECIFICATIONS

Module mount size	mm	30 x 30x 22mm
Applicable models size $\varnothing$	mm	16mm
Through-hole $\varnothing$	mm	3mm
Through-hole distance	mm	25 x 23mm
Dimensions of module mount (mm):		



This simple mount acts as combined heat sink, electrical insulator mount for 16mm diameter diode modules. Loosen the four small set screws and remove the top half of the module mount to put the laser in. The laser is held firmly by tighten the screws. The module mount reserved 4 through-holes for user to fix the the laser on a flat and thermally dissipating surface.

### CONNECTOR

USB connector	Suit for access to computer control
Bayonet nut connector	Minimize distractions
Headset connector	Easy connect and disconnect

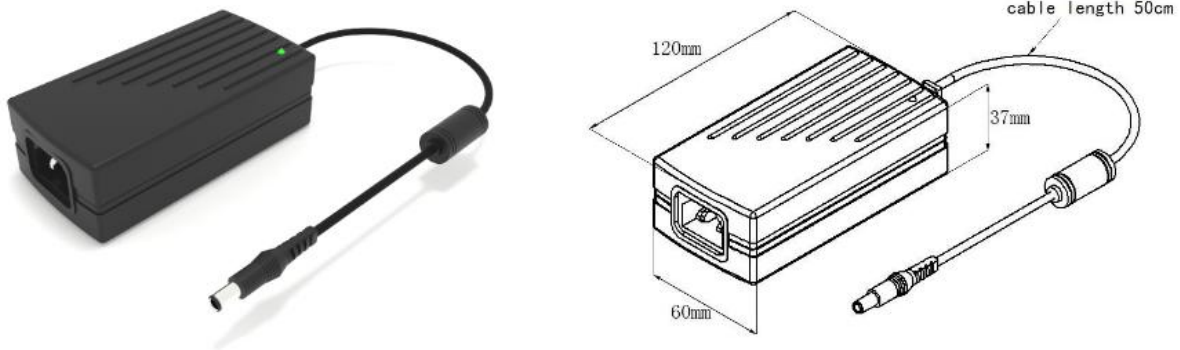
### BATTERY CASE

Power supply	6-7V CR123A Lithium batteriesX2 3V AA Alkaline batteries x 2
Battery case connector	Optional, suggest using headset connector

## POWER ADAPTER

Input		85-264V AC 47/63Hz
Output		DC 5V 5A
Adapter size	mm	120 x 60 x 37mm
Adapter cable length	m	0.5m
Cable connector		Easy connect/disconnect jack

Dimensions of power adapter (mm):



The Universal Diode Laser Module Power Supply with CE-marked provide a well-regulated 5 VDC. This auto ranging power module can be connected to any 85-264 VAC 47/63 Hz supply. There is an IEC 60320 input socket and a 0.5m output cable terminated with an easy connect/disconnect jack socket. The Headset connector which could also be found in accessories is compatible with the power supply jack.