

PGL-V-FC Series



PGL-V-FC series laser is made features of wide temperature range operating, high reliability, which is widely used in orientation, alignment and measurement, etc.

SYSTEM SPECIFICATIONS*

Wavelength (nm)	Power (mW)	Fiber core (μm)	connector	Power stability (rms)	Expected lifetime (Hours)	Warranty (years)
405±10	1-100	400	FC/SMA905	<5%	10000	1
450±10	1-100					
520±10	1-100					
532±1	1-50					
637±10	1-100					
658±10	1-100					
785±10	1-100					
808±5	1-100					
830±10	1-100					
850±10	1-100					
940±10	1-100					
980±10	1-100					

ELECTRICAL SPECIFICATIONS

Operating voltage(PSU-V-OEM)	100-240VAC
Operating voltage(PSU-I-OEM)	12VDC
Modulation optional	TTL and Analog0-5V
Connection	9pin connector

ENVIRONMENTAL CONDITIONS

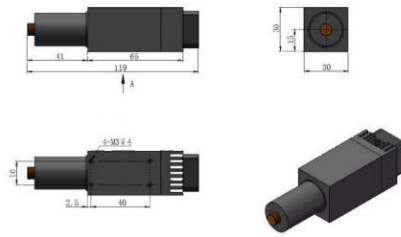
Operating temperature	°C	-10°C to 40°C
Storage temperature	°C	-10°C to 70°C
Humidity	%	<90 %, non-condensing

MECHANICAL SPECIFICATIONS

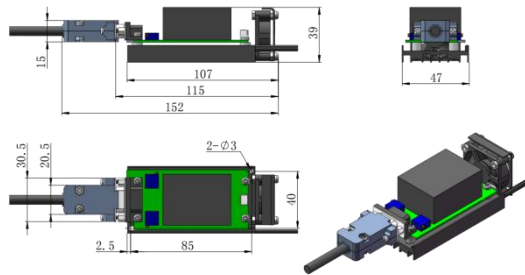
Dimensions of laser head	mm	119(L)×30(W)×30(H)mm ³
Material		Aluminum and Copper

*All testing data is under the condition of temperature 25 °C

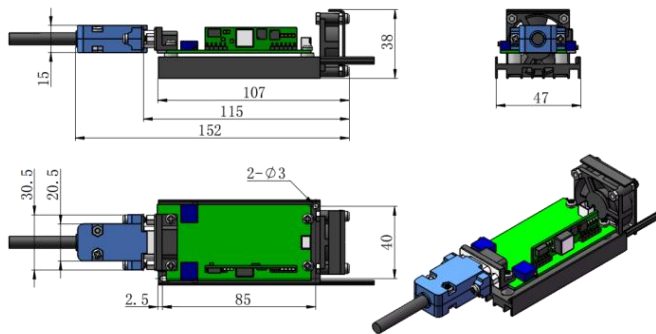
Dimensions of laser($\Phi 30 \times 30 \times 119 \text{mm}^3$)



Dimensions of PSU-V-OEM power supply
($107 \times 47 \times 39 \text{mm}^3$, 100-240VAC, TTL and Analog 0-5V)



Dimensions of PSU-I-OEM power supply
($107 \times 47 \times 38 \text{mm}^3$, 12VDC, TTL and Analog 0-5V)



Dimensions of PSU-V-OEM and PSU-I-OEM power supply with dust cover
($110 \times 70 \times 47 \text{mm}^3$, 12VDC/100-240VAC, TTL and Analog 0-5V)

