

## PGL-V-H Fiber Series



PGL-V-H Fiber Series Laser mode made features of high output power, good stability and covers wide wavelength range.

### SYSTEM SPECIFICATIONS\*

Wavelength (nm)	Power (mW)	Fiber core (μm)	connector	Power stability (rms)	Expected lifetime (Hours)	Warranty (years)
405±10	1-500	400	FC/SMA905	<5%	10000	1
445±10	1-1000					
520±10	1-800					
532±1	1-100					
635±10	1-500					
658±10	1-150					
690±10	1-800					
790±10	1-1000					
808±5	1-2000					
830±10	1-1000					
885±10	1-1000					
915±10	1-1000					
940±10	1-1000					
980±10	1-1000					
1064±1	1-1000					
1320±10	1-500					
1450±10	1-500					
1550±15	1-500					

### ELECTRICAL SPECIFICATIONS

Operating voltage(PSU-V-OEM)	100-240VAC
Operating voltage(PSU-I-OEM)	12VDC
Modulation optional	TTL and Analog0-5V
Connection	9pin connector

### ENVIRONMENTAL CONDITIONS

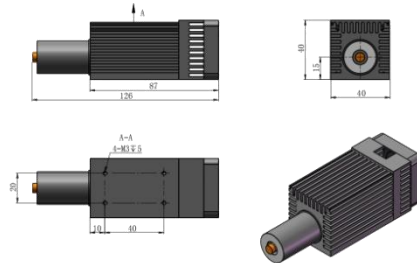
Operating temperature	°C	-10°C to 50°C
Storage temperature	°C	-10°C to 70°C
Humidity	%	<90 %, non-condensing

\*All testing data is under the condition of temperature 25 °C

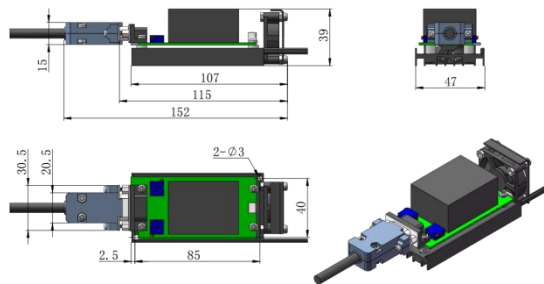
### MECHANICAL SPECIFICATIONS

Dimensions of laser head	mm	126(L)×40(W)×40(H)mm <sup>3</sup>
Material		Aluminum and Copper

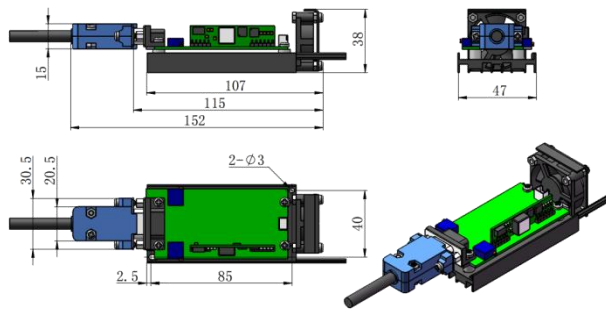
#### Dimensions of laser(40×40×126mm<sup>3</sup>)



#### Dimensions of PSU-V-OEM power supply(107×47×39mm<sup>3</sup>, 100-240VAC, TTL and Analog 0-5V)



#### Dimensions of PSU-I-OEM power supply(107×47×38mm<sup>3</sup>, 12VDC, TTL and Analog 0-5V)



#### Dimensions of PSU-V-OEM and PSU-I-OEM power supply with dust cover(110×70×47mm<sup>3</sup>)

