



PGL-VI-473/1~30mW

**BLUE LASER MODULE
AT 473nm**


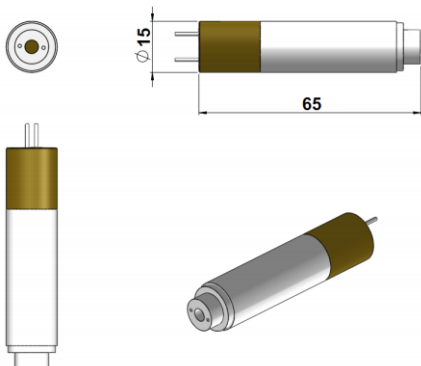


PGL-VI high power blue laser module at 473nm is made features of small size, high output power, long lifetime, which made it widely used in collimation, laser medical treatment, scientific experiment, optical instrument and so on.



SPECIFICATIONS

Wavelength (nm)	473±1
Operating mode	CW
Output power (mW)	>1, 10, 15, ..., 30
Power stability (rms)	<10% , over 4 hours at constant temperature after warm up
	<20%, over operating temperature range
Transverse mode	TEM ₀₀
Beam diameter at the aperture (1/e ² , mm)	~1.5
Beam divergence, full angle (mrad)	<1.5
Operating temperature (°C)	15~30
Power supply	DC 3V PCB
TTL modulation	Optional, 1Hz-1KHz, 1KHz-10KHz, or higher on request
Expected lifetime (hours)	10000
Warranty	6 months



PGL-VI-473	Dimensions	3VPCB	
 <p>Φ15×65(L) mm², 0.036 kg</p>		 <p>38×14×8(H) mm³</p>	 <p>18×14×8(H) mm³</p>