



PGL-VI-635/1~100mW

### HIGH POWER RED LASER MODULE AT 635nm

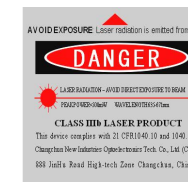
Diode red laser 635nm is made features of ultra compact, long lifetime, low cost and easy operating, which is widely used in measurement, spectrum analysis, laser lighting show, etc.




#### SPECIFICATIONS

Wavelength (nm)	635±5
Operating mode	CW
Output power (mW)	>1,5, 10 , ... , 100
Transverse mode	Near TEM <sub>00</sub>
Beam diameter at the aperture (1/e <sup>2</sup> , mm)	~3.5
Beam divergence, full angle (mrad)	<1.0
Operating temperature (°C)	15~30
Power supply	DC 3V PCB
Expected lifetime (hours)	10000
Warranty	6 months
Remark	Optional focus adjustable is available.

**Note: The shell has non-polarity.**



PGL-VI-635	Dimensions
 <p>Φ12×50(L) mm<sup>2</sup></p>	