

PS-D-532-Air/1~3000mW

PICOSECOND PULSED LASER AT 532nm

Picosecond pulsed laser at 532nm is made features of short pulse duration, high repetition rate and good beam quality, which is used in glass marking, sapphire marking, ceramic cutting, semiconductor cutting, solar panels coating, film scribing, etc.

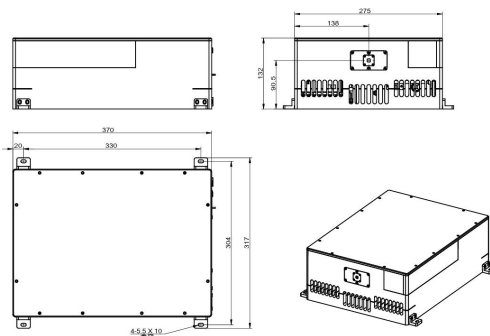


SPECIFICATION

Model	PS-D-532-Air
Wavelength (nm)	532±1
Output power (W)	3W@1MHz
Rep.rate (MHz)	1KHz~1MHz
Pulse duration (ps)	~10
Power stability (rms, over 4 hours)	<3%, <1%
Peak-to-Peak stability (rms ,over 4 hours)	<2 %
Transverse mode	TEM ₀₀
Beam Circularity (%)	>90
Beam quality (M ²)	<1.2
Beam divergence, full angle (mrad)	<3
Beam diameter at the aperture (1/e ² , mm)	~1
Polarization ratio	>100:1 (Vertical)
Dimensions (mm ³)	370 (L) × 317 (W) × 132 (H)
Beam height from base plate (mm)	90.5
Warm-up time (minutes)	<20
Operating temperature (°C)	20~30
Power supply	DC 24V/ 13A (optional)

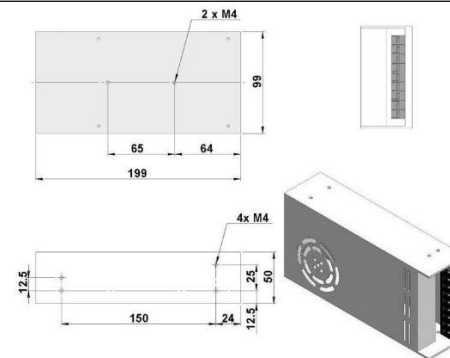


PS-D-532-Air *Integrated electronics*



370 (L) × 317 (W) × 132 (H) mm³

Power supply 100-240VAC



DC24V 13A; 199 (L) × 99 (W) × 50 (H) mm³, 1 kg