

RGB-BD-(635/ 520/ 455) 20W

COLOR DIODE LASER

Color diode laser at 635,520,455 nm is made features of long lifetime, low cost and easy operating, which is widely used laser show.

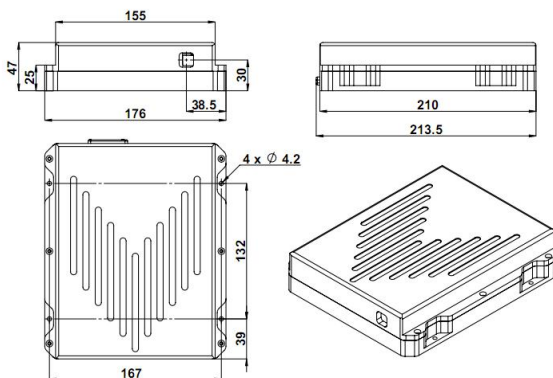


SPECIFICATIONS

Wavelength (nm)	635±5	520±5	455±5
Ratio power (W)	6	6	8
Beam diameter at the aperture (mm)	6×7.5	5×5.5	6×7.5
Beam divergence, full angle (mrad)	1.2	1.2	1.2
Operating mode	CW		
Output power (W)	20		
Power stability (rms, over 4 hours)	<1%, <3%, <5%		
Polarization direction	Horizontal+ Vertical		
Warm-up time (minutes)	<5		
Beam height from base plate (mm)	30 (RGB-BD-635/520/455)	93.5(BD-635/520/455-HS)	
Operating temperature (°C)	25+/-3	10-35	
Modulation option	TTL/Analog 1Hz-5KHz, 1Hz-10KHz, 1Hz-100KHz, and TTL on/off		
Expected lifetime (hours)	10000		
Warranty	1 year		



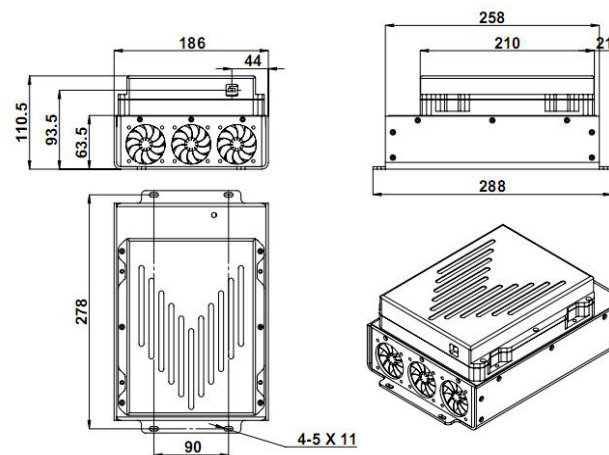
Dimensions of Laser head



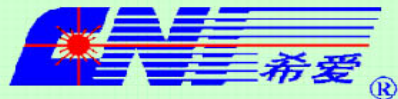
OEM-BD-635/520/455

213.5(L)×176(W)×47(H)mm³

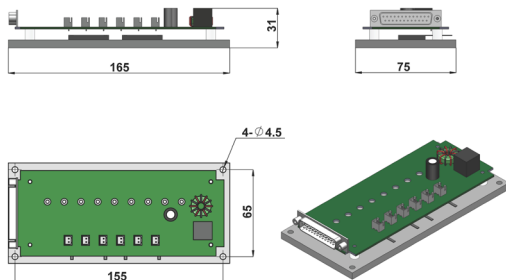
Dimensions of Laser head



BD-635/520/455-HS

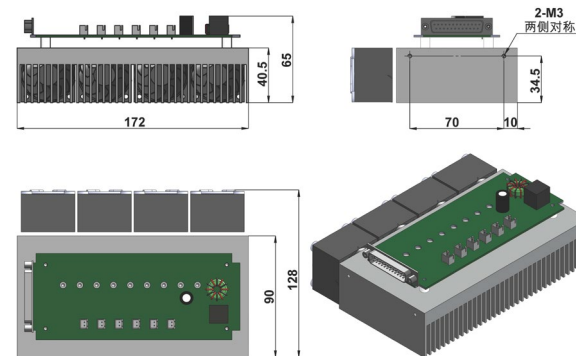


Supply power



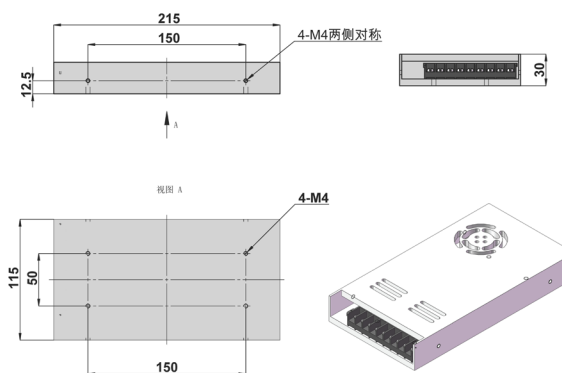
PSU-PN7T-OEM
165(L)×75(W)×31(H)mm³

Supply power



PSU-PN7T-OEM-H
172(L)×128(W)×65(H)mm³

Adapter



18V 20A
215(L)×115(W)×30(H)mm³