



RGB-ED-(635/520/447) 20W

## COLOR DIODE LASER

Color diode laser at 635,520,447 nm is made features of long lifetime, low cost and easy operating, which is widely used laser show.

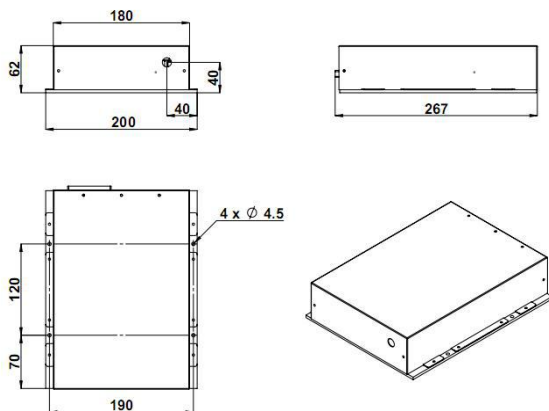


### SPECIFICATIONS

Wavelength (nm)	635±5	520±5	447±5
Ratio power (W)	6	5.5	9
Beam diameter at the aperture (mm)	6×6	5×5	4.5×4.5
Beam divergence, full angle (mrad)	1.9×2.3	<1.4×0.8	<1.4×0.2
Operating mode	CW		
Output power (W)	>20		
Power stability (rms, over 4 hours)	<1%, <3%, <5%		
Polarization direction	Horizontal+ Vertical		
Warm-up time (minutes)	<5		
Beam height from base plate (mm)	40 (RGB-ED)		
Operating temperature (°C)	25+/-3 (RGB-ED)		
Power supply (90-264VACor12V20A,12V15A)	PSU-RGB-OEM (This power supply is equipped with 2 switching adapter.)		
Modulation option	TTL/Analog 1Hz-5KHz, 1Hz-10KHz, 1Hz-100KHz, and TTL on/off		
Expected lifetime (hours)	10000		
Warranty	1 year		



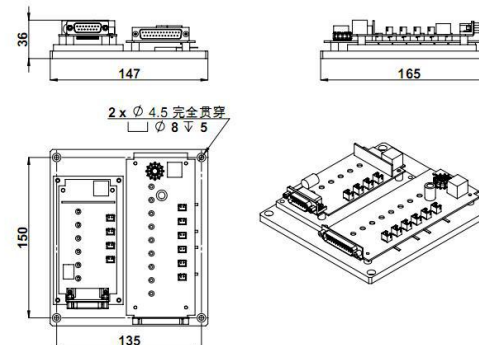
### Dimensions of Laser head



**OEM-ED-635/520/447**

267(L)×200(W)×62(H)mm<sup>3</sup>

### Power Supply

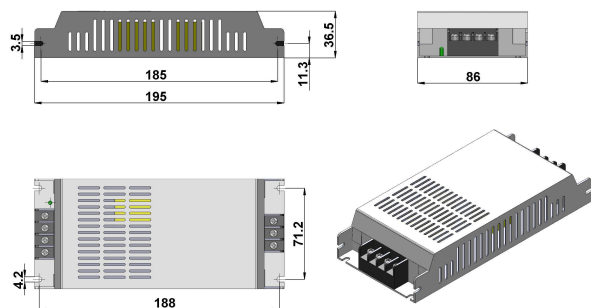


**PSU-RGB-OEM**

165(L)×147(W)×36(H)mm<sup>3</sup>



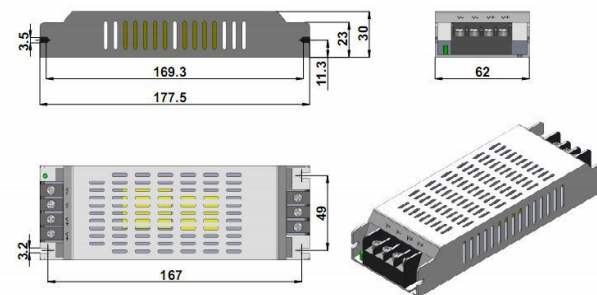
### Adapter1



12V20A

195(L)×86(W)×36.5(H)mm<sup>3</sup>

### Adapter2



12V15A

177.5(L)×62(W)×30(H)mm<sup>3</sup>