



RGB-FD-(635/520/447) 30W

COLOR DIODE LASER

Color diode laser at 635,520,447 nm is made features of long lifetime, low cost and easy operating, which is widely used laser show.

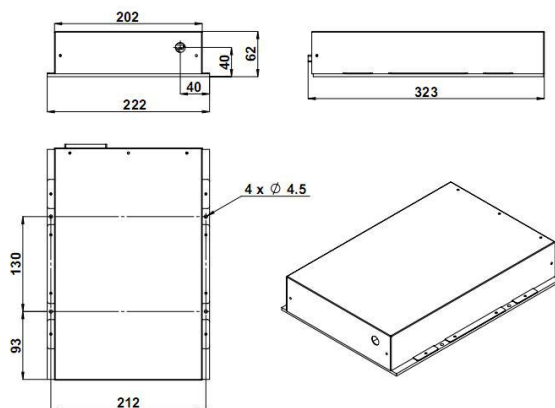


SPECIFICATIONS

Wavelength (nm)	635±5	520±5	447±5
Ratio power (W)	7	8	15
Beam diameter at the aperture (mm)	7×5	7.5×5	7×5
Beam divergence, full angle (mrad)	2.4×2.4	1.4×0.8	1.4×0.8
Operating mode	CW		
Output power (W)	>30		
Power stability (rms, over 4 hours)	<1%, <3%, <5%		
Polarization direction	Horizontal+ Vertical		
Warm-up time (minutes)	<5		
Beam height from base plate (mm)	40(RGB-FD)		
Operating temperature (°C)	25+/-3 (RGB-FD)		
Power supply (90-264VACor12V20A,12V15A,24V15A)	PSU-RGB-OEM (This power supply is equipped with 3 switching adapter.)		
Modulation option	TTL/Analog 1Hz-5KHz, 1Hz-10KHz, 1Hz-100KHz, and TTL on/off		
Expected lifetime (hours)	10000		
Warranty	1 year		



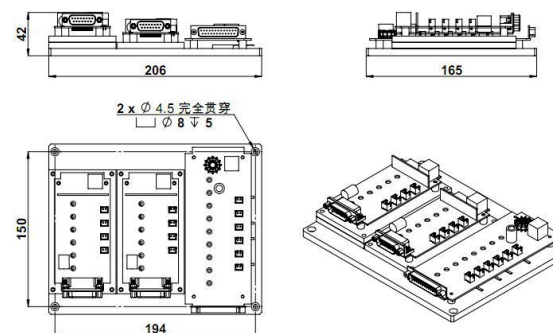
Dimensions of Laser head



OEM-FD-635/520/447

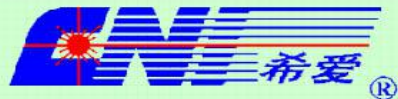
267(L)×200(W)×62(H)mm³

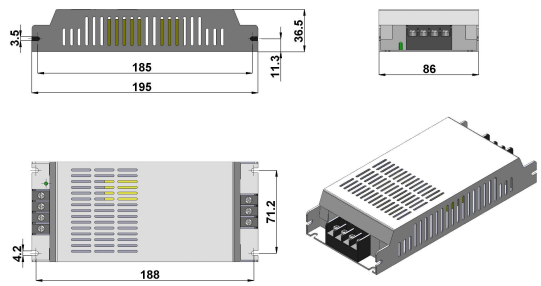
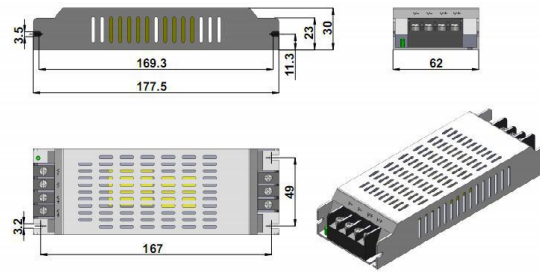
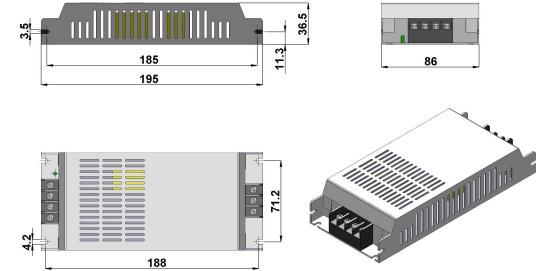
Power Supply



PSU-RGB-OEM

165(L)×147(W)×36(H)mm³



Adapter1	Adapter2	Adapter3
 <p>12V 20A 195(L)×86(W)×36.5 (H)mm³</p>	 <p>12V15A 177.5(L)×62(W)×30(H)mm</p>	 <p>24V15A 177.5(L)×62(W)×30(H)mm</p>