

RGB-KD-(635/ 520/ 455) 13W

COLOR DIODE LASER

Color diode laser at 635,520,455 nm is made features of long lifetime, low cost and easy operating, which is widely used laser show.

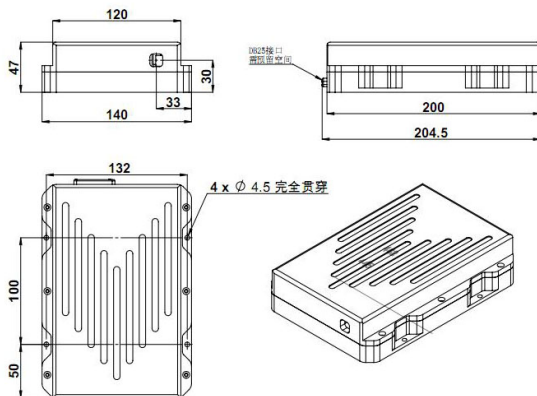


SPECIFICATIONS

Wavelength (nm)	635±5	520±5	455±5
Ratio power (W)	4	3.5	5.5
Beam diameter at the aperture (mm)	6×7.5	5×5.5	6×7.5
Beam divergence, full angle (mrad)	1.2	1.2	1.2
Operating mode	CW		
Output power (W)	13		
Power stability (rms, over 4 hours)	<1%, <3%, <5%		
Polarization direction	Horizontal+ Vertical		
Warm-up time (minutes)	<5		
Beam height from base plate (mm)	30(RGB-KD-635/520/455)	93.5(KD-635/520/455-HS)	
Operating temperature (°C)	25+/-3	10-35	
Modulation option	TTL/Analog 1Hz-5KHz, 1Hz-10KHz, 1Hz-100KHz, and TTL on/off		
Expected lifetime (hours)	10000		
Warranty	1 year		



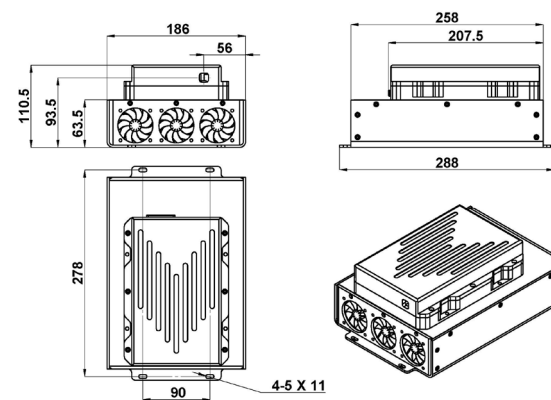
Dimensions of Laser head



RGB-KD-635/520/455

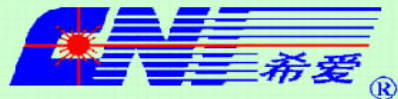
204.5(L)×140(W)×47(H)mm³

Dimensions of Laser head

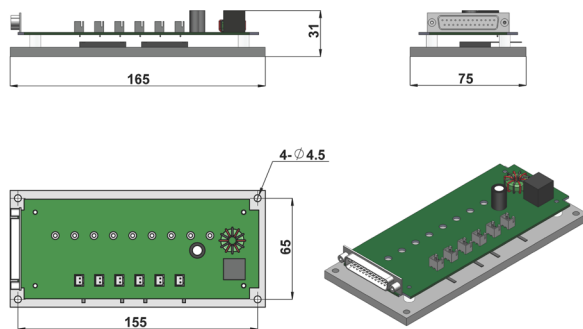


KD-635/520/455-HS

208(L)×186(W)×110.5(H)mm³

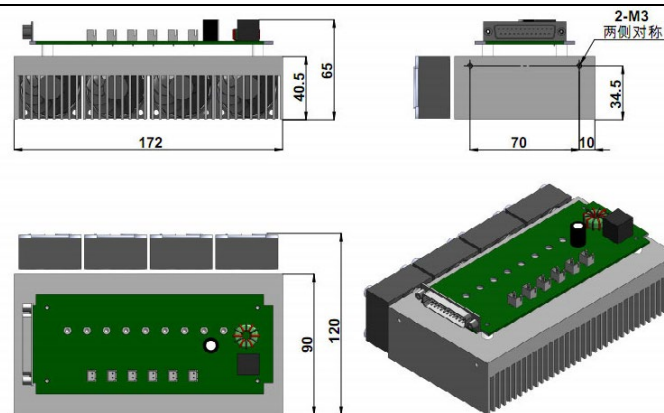


Supply power



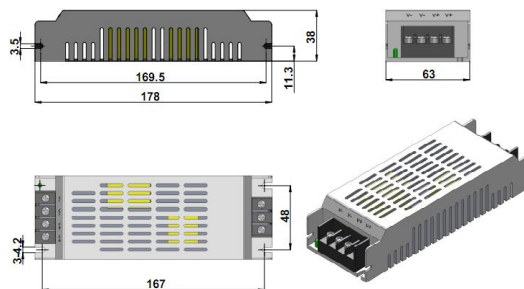
165(L)×75(W)×31(H)mm³
PSU-PN7T-OEM

Supply power



172(L)×120(W)×65(H)mm³
PSU-PN7T-OEM-HS

Adapter



178(L)×63(W)×38(H)mm³
12V 20A