

■ Features

- 1064nm
- With 6um SM Fiber
- Coaxial Package
- Built-in PD



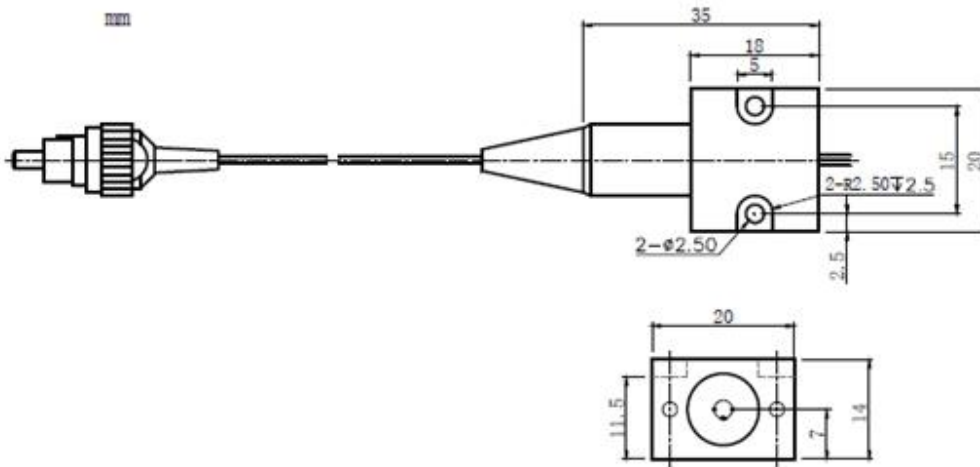
■ Absolute Maximum Ratings

Parameter	Symbol	Value	Unit
Reverse Voltage	V _r	2.0	V
Operating Temperature	Top	-10 ~ +50	°C
Storage Temperature	T _{stg}	-20 ~ +85	°C
Lead Soldering Temperature (10sec)	T _{is}	250	°C

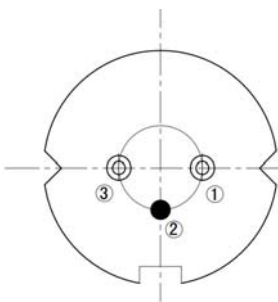
■ Initial Electrical/Optical Characteristics

Item	Symbol
Center Wavelength @ 25°C	1064±5nm
Output Power	50mW
Fiber Type	SM Fiber
Fiber Core	6um
Monitor Current	0.5mA
PD Reverse Voltage	30V
Recommend Operating Temperature	25°C
Fiber Connector	FC/SC/SMA905
Fiber Length	80cm
Threshold Current (Typ.)	30mA
Operating Current (Typ.)	270mA
Operating Voltage	1.5V
Package Style	Coaxial
Photodiodes	Built-in

Coaxial Package View



PIN Bottom View



1	LD(-)
2	LD(+)&PD(-)
3	PD(+)



Changchun New Industries Optoelectronics Tech. Co., Ltd
<http://www.cnilaser.com>

◆ CONTACT

No.888, Jinhu Road, High-tech Zone, Changchun
 130103, China

Phone: +86-431-87033597

Fax: +86-431-87033597