



## SLDP-1310-10-PM

希愛

### ■ Features

- 1310nm
- DFB Laser Diode
- Built-in Photodiodes
- Polarization Maintaining Fiber
- 9um Fiber Core
- Coaxial Package



### ■ Absolute Maximum Ratings

Parameter	Symbol	Value	Unit
LD Reverse Voltage	V <sub>r</sub>	2.0	V
PD Reverse Voltage	V <sub>r(PD)</sub>	15	V
Operating Temperature	Top	-10 ~ +50	°C
Storage Temperature	T <sub>stg</sub>	-20 ~ +85	°C
Lead Soldering Temperature (10sec)	T <sub>is</sub>	260	°C

### ■ Initial Electrical/Optical Characteristics

Item	Symbol
Center Wavelength @ 25°C	1310±10nm
Laser Type	DFB
Spectral Width (FWHM)	0.2nm
Output Power	10mW
Fiber Type	PM Fiber
Fiber Core	9um
Connector	FC/SC/SMA905
Recommend Operating Temperature	25°C
Threshold Current (Typ.)	5mA
Operating Current (Typ.)	70mA
Operating Voltage	1.4V
SMSR	35dB
PD Capacitance	10pF
Package Style	Coaxial or B5

CHANGCHUN NEW INDUSTRIES  
OPTOELECTRONICS TECH. CO., LTD.

CHANGCHUN NEW INDUSTRIES  
OPTOELECTRONICS TECH. CO., LTD.



electronics Tech. Co., Ltd ◆ CONTACT

No.888, Jinhua Road, High-tech Zone, Changchun  
130103, China

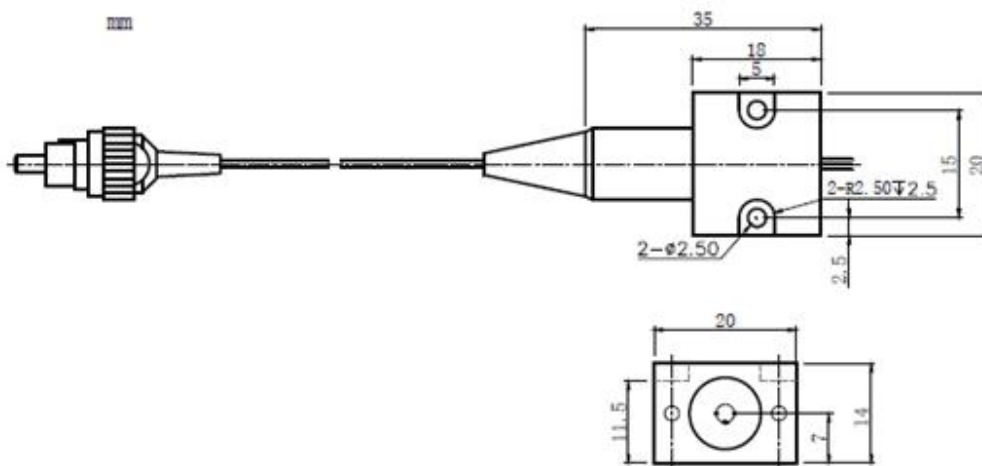
Phone: +86-431-87033597

Fax: +86-431-87033597

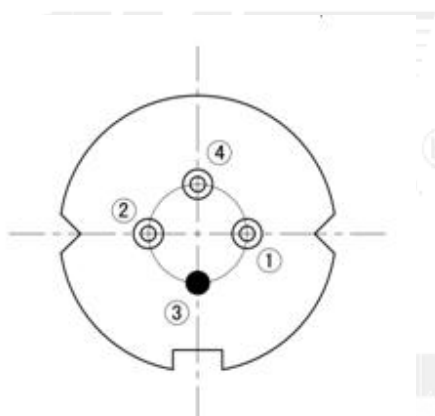
CHANGCHUN NEW INDUSTRIES  
OPTOELECTRONICS TECH. CO., LTD.

CHANGCHUN NEW INDUSTRIES  
OPTOELECTRONICS TECH. CO., LTD.

## Coaxial Package View



## Bottom View



1	PD(+)
2	LD(-)
3	LD(+)
4	PD(-)

Changchun New Industries Optoelectronics Tech. Co., Ltd  
<http://www.cnilaser.com>

### ◆ CONTACT

No.888, Jinhu Road, High-tech Zone, Changchun  
 130103, China

Phone: +86-431-87033597

Fax: +86-431-87033597