

■ Features

- 635nm
- PM Fiber
- HHL Package Optional
- TEC Cooler Optional
- LD & TEC Driver Optional



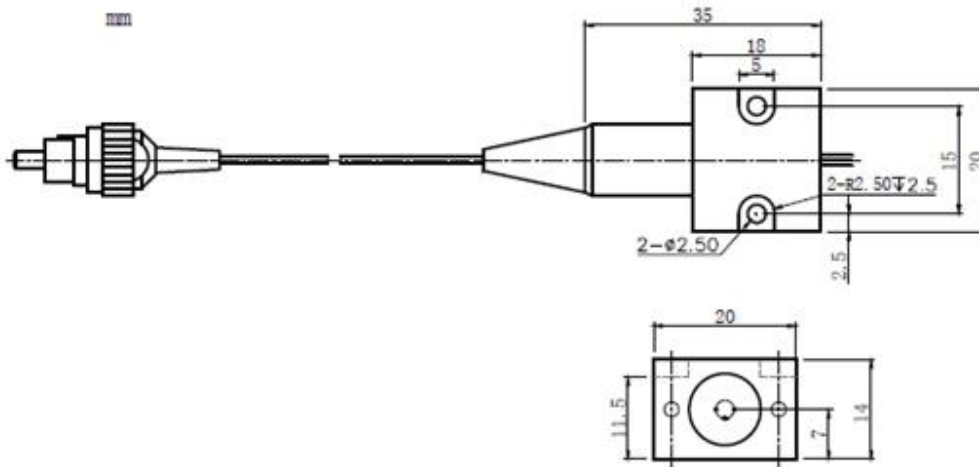
■ Absolute Maximum Ratings

Parameter	Symbol	Value	Unit
Reverse Voltage	Vr	2.0	V
Operating Temperature	Top	-10 ~ +60	°C
Storage Temperature	Tstg	-20 ~ +85	°C
Lead Soldering Temperature (10sec)	Tis	260	°C

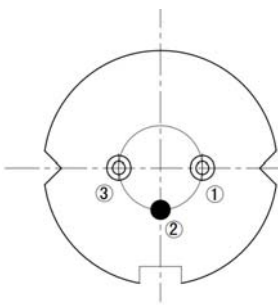
■ Initial Electrical/Optical Characteristics

Item	Symbol
Center Wavelength @ 25°C	635±5nm
Output Power	50mW
Fiber Type	PM Fiber
Fiber Core	4um
Monitor Current	---
PD Reverse Voltage	---
Recommend Operating Temperature	25°C
Fiber Connector	FC/SC/SMA905
Fiber Length	80 cm
Threshold Current (Typ.)	50mA
Operating Current (Typ.)	185mA
Operating Voltage	2.8V
Package Style	Coaxial
PD	Optional

Coaxial Package View



PIN Bottom View



1	LD(+)
2	GND
3	LD(-)



Changchun New Industries Optoelectronics Tech. Co., Ltd
<http://www.cnilaser.com>

◆ CONTACT

No.888, Jinhu Road, High-tech Zone, Changchun
 130103, China

Phone: +86-431-87033597

Fax: +86-431-87033597