

## ■ Features

- 785nm
- SM Fiber
- Coaxial Package
- Built-in PD



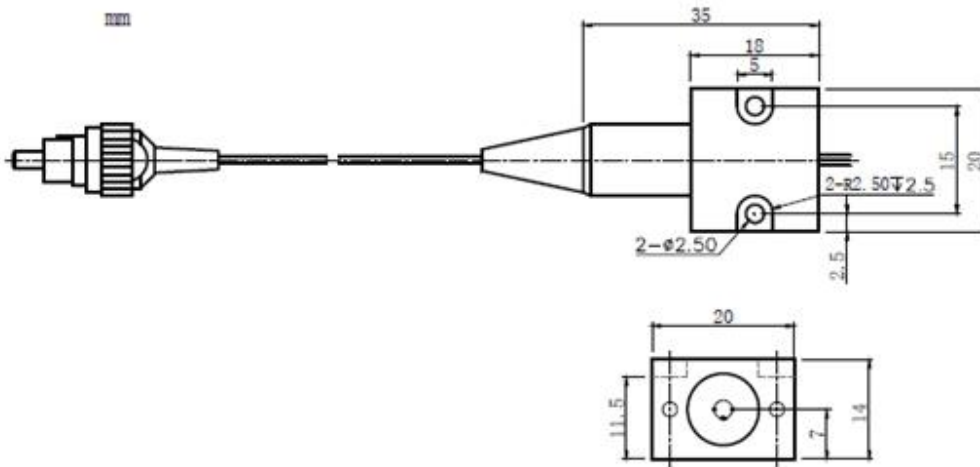
## ■ Absolute Maximum Ratings

Parameter	Symbol	Value	Unit
Reverse Voltage	Vr	2.0	V
Operating Temperature	Top	-10 ~ +60	°C
Storage Temperature	Tstg	-20 ~ +85	°C
Lead Soldering Temperature (10sec)	Tis	260	°C

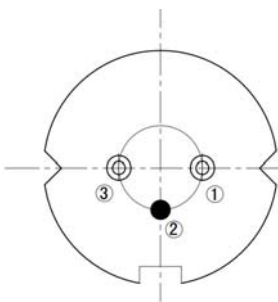
## ■ Initial Electrical/Optical Characteristics

Item	Symbol
Center Wavelength @ 25°C	785±5nm
Output Power	50mW
Fiber Type	SM Fiber
Fiber Core	5um
Monitor Current	1mA
PD Reverse Voltage	30V
Recommend Operating Temperature	25°C
Fiber Connector	FC/SC/SMA905
Fiber Length	80cm
Threshold Current (Typ.)	35mA
Operating Current (Typ.)	140mA
Operating Voltage	2.0V
Package Style	Coaxial
Photodiodes	Built-in

**Coaxial Package View**



**PIN Bottom View**



1	LD(-)
2	LD(+)&PD(-)
3	PD(+)



**Changchun New Industries Optoelectronics Tech. Co., Ltd**  
<http://www.cnilaser.com>

◆ CONTACT

No.888, Jinhu Road, High-tech Zone, Changchun  
 130103, China

Phone: +86-431-87033597

Fax: +86-431-87033597