



SLDP-905-1-SM

■ Features

905nm
SM Fiber
Coaxial or B1 Package
Built-in PD



■ Absolute Maximum Ratings

Parameter	Symbol	Value	Unit
Reverse Voltage	V _r	2.0	V
Operating Temperature	Top	-10 ~ +60	°C
Storage Temperature	T _{stg}	-40 ~ +85	°C
Lead Soldering Temperature (10sec)	T _{is}	250	°C

■ Initial Electrical/Optical Characteristics

Item	Symbol
Center Wavelength @ 25°C	905±5nm
Output Power	1mW
Fiber Type	SM Fiber
Fiber Core	5um
Monitor Current	0.5mA
PD Reverse Voltage	30V
Recommend Operating Temperature	25°C
Fiber Connector	FC/SC/SMA905
Fiber Length	80cm
Threshold Current (Typ.)	10mA
Operating Current (Typ.)	40mA
Operating Voltage	1.9V
Package Style	Coaxial or B1
Photodiodes	Built-in

CHANGCHUN NEW INDUSTRIES
OPTOELECTRONICS TECH.CO.,LTD.

CHANGCHUN NEW INDUSTRIES
OPTOELECTRONICS TECH.CO.,LTD.



electronics Tech. Co., Ltd ◆ CONTACT

No.888, Jinhua Road, High-tech Zone, Changchun
130103, China

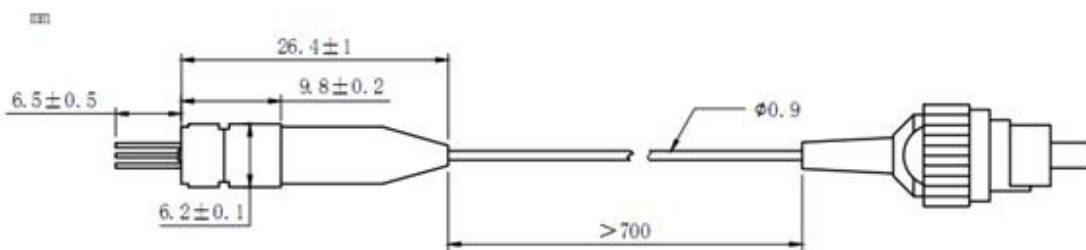
Phone: +86-431-87033597

Fax: +86-431-87033597

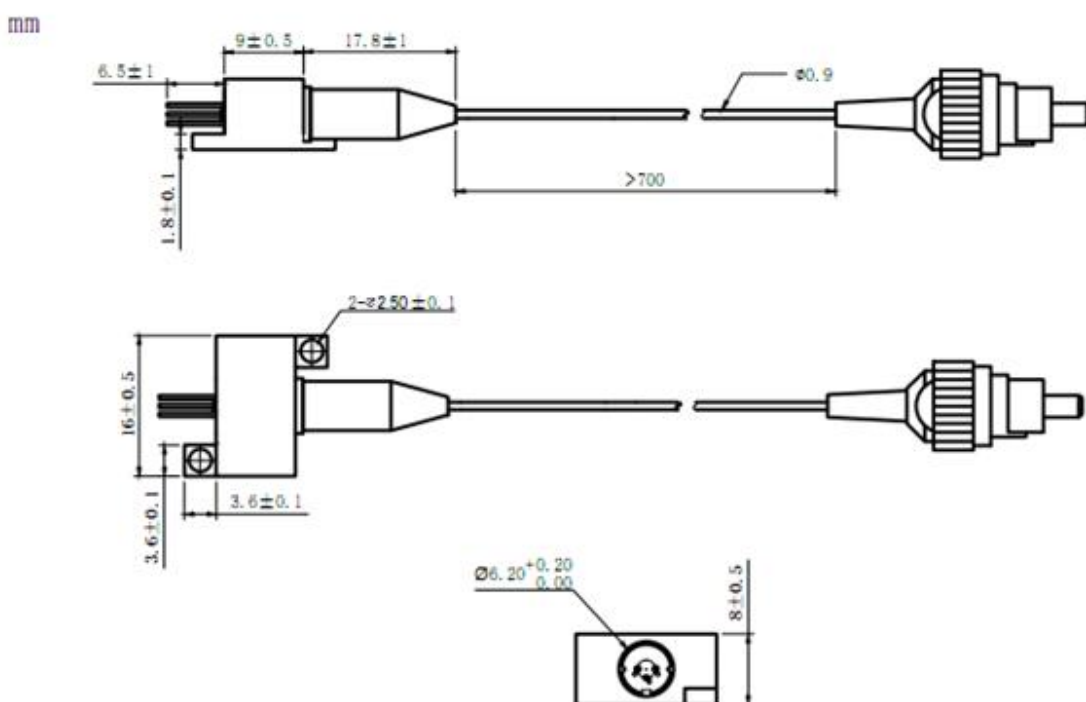
CHANGCHUN NEW INDUSTRIES
OPTOELECTRONICS TECH.CO.,LTD.

CHANGCHUN NEW INDUSTRIES
OPTOELECTRONICS TECH.CO.,LTD.

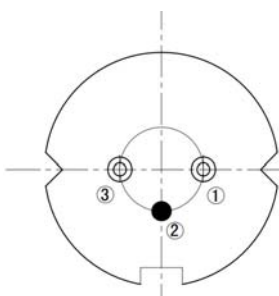
Coaxial Package View



B1 Package View



PIN Bottom View



1	LD(-)
2	LD(+)&PD(-)
3	PD(+)



Changchun New Industries Optoelectronics Tech. Co., Ltd
<http://www.cnilaser.com>

◆ CONTACT

No.888, Jinhu Road, High-tech Zone, Changchun
 130103, China

Phone: +86-431-87033597

Fax: +86-431-87033597