



TUN-W-1356~1512/1~2500mW

LD PUMPED ALL-SOLID-STATE INFRARED LASER AT 3590~4940nm

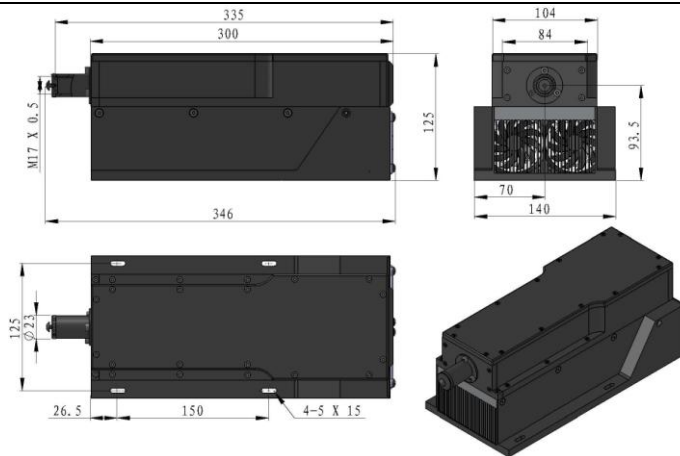
With tunable wavelength, this all solid state infrared laser can provide a CW output power up to 2500mW. The customer can order any wavelength range in the list. It is widely used in remote sensing, communication, spectrum analysis, etc.

SPECIFICATIONS

Wavelength (nm)	1356~1367	1367~1380	1380~1394	1394~1409	1409~1426	1426~1444	1444~1464	1464~1487	1487~1512
Wavelength deviation(nm)	±10								
Average power (mW)	1, 100, 200, ..., 2500								
Operating mode	CW								
Power stability (rms, over 4 hours)	<5%, <10%								
Beam divergence, full angle (mrad)	<8								
Beam diameter at the aperture (1/e ² ,mm)	<7								
Warm-up time (minutes)	<10								
Beam height from base plate (mm)	93.5								
Operating temperature (°C)	10~35								
Power supply (90-264VAC)	PSU-W-FDA								
Expected lifetime (hours)	10000								
Warranty period	1 year								

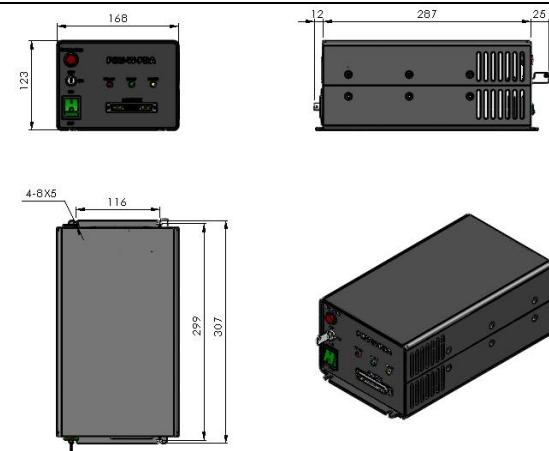


MIL-W-1356~1512



346(L)×140(W) ×125(H) mm³, 5.7kg

PSU-W-FDA



307 (L) ×168(W) ×123(H) mm³, 4.5kg