

UV-F-320/1~20mW



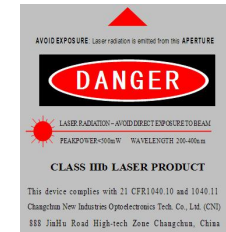
**LD PUMPED ALL-SOLID-STATE
CW UV LASER**

All solid state 320nm UV laser is made features of ultra compact, long lifetime, cost-effectiveness and easy operating, which is used in DNA sequencing, flow cytometry, cell sorting, optical instrument, spectrum analysis, measurement, physics experiment, laser rapid modeling, etc.

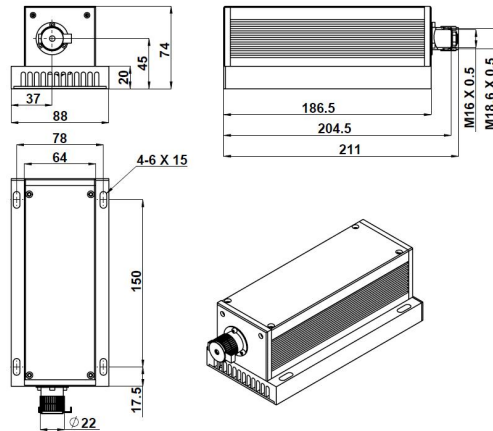


SPECIFICATIONS

Central wavelength (nm)	320±1
Operating mode	CW
Output power (mW)	>1, 2, ..., 20
Power stability (rms, over 4 hours)	<5%, <10%
Transverse mode	Near TEM ₀₀
M ² factor	<2.0
Beam diameter at the aperture (mm)	~1.5
Beam divergence, full angle (mrad)	<2.5
Polarization ratio	>50:1 (Horizontal)
Warm-up time (minutes)	<10
Beam height from base plate (mm)	45
Operating temperature (°C)	10~35
Spectral purity	>99%
Power supply (90-264VAC)	PSU-H-FDA
Expected lifetime (hours)	5000
Warranty period	1 year

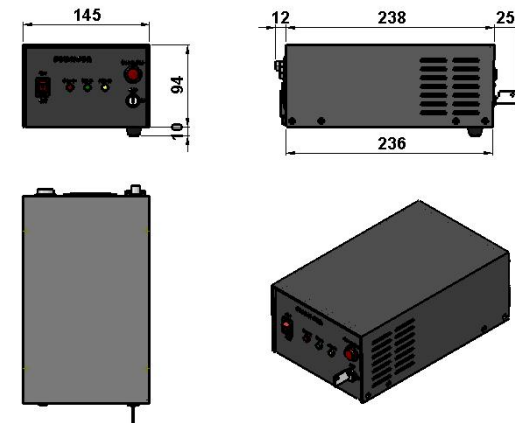


UV-F-320



211 (L)×88(W)×74(H) mm³, 1.6 kg

PSU-H-FDA



275(L)×145(W)×104(H) mm³, 2.3 kg