



YL-F-980/ 808/ 520/ 455 23W

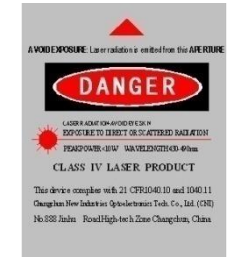
### COLOR DIODE LASER

The laser is composed of 980/ 808/ 520/ 455nm to synthesize a beam of light, which can light up the corresponding laser as needed. It is made feature of ultra compact, long lifetime, and easy operating, which is used in medical care.



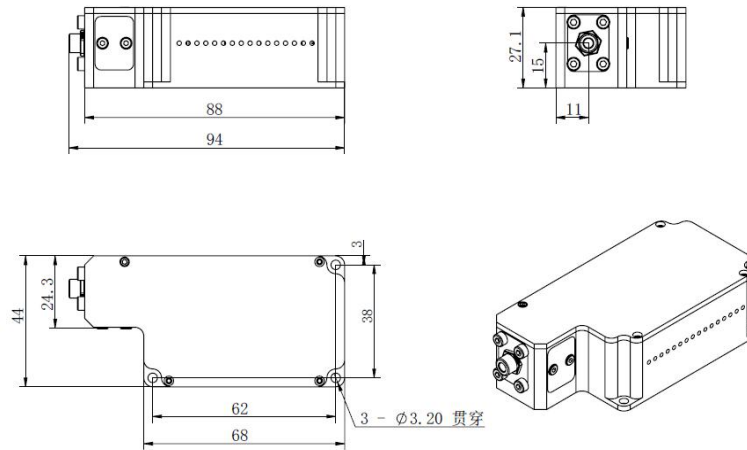
### SPECIFICATIONS

Wavelength(nm)	980±5	808±3	520±5	455±5
Ratio output power (W) after 400um fiber (Ratio power can be customized)	10	8	1	4
Operating mode	CW			
Fiber Core Diameter (um)	400, 600...			
Fiber Connector	SMA905/ FC			
Numerical Aperture (NA)	0.22			
Fiber length (m)	1 (Fiber length can be customized )			
Power stability(rms, over 4 hours)	<1%			
Warm-up time (minutes)	<5			
Operating temperature (°C)	10-30			
Expected lifetime (hours)	10000			
Warranty	1 year			



**NOTE: The laser needs to be used on a heat sink with good heat dissipation.**

### YL-F-980/ 808/ 520/ 455



94 (L)\*44 (W)\*27.1 (H)mm<sup>3</sup>