



AO-K-280&295&532&560

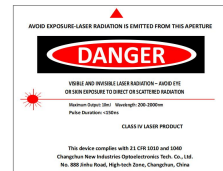
LD PUMPED ALL-SOLID-STATE
AOM Q-SWITCHED LASER

All solid state AOM Q-switched laser at wavelengths of 280&295&532&560nm has the features of high peak power and short pulse duration, which is used in laser inner carver, laser marking, scientific research and so on.

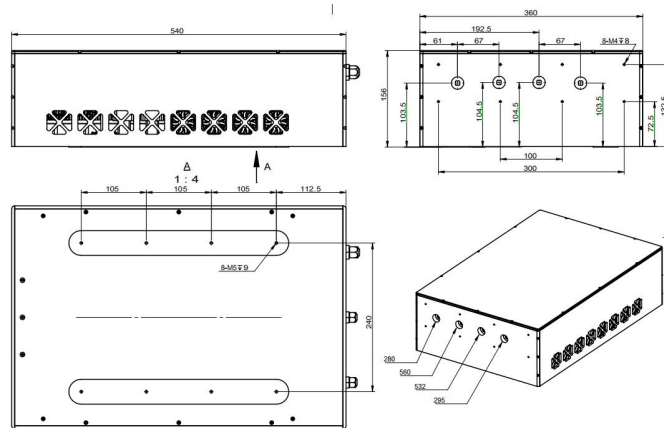


SPECIFICATIONS

Wavelength (nm)	280±1	295±1	532±1	560±1
Operating mode	Actively			
Average power (mW)	100@5kHz	100@5kHz	1000@5kHz	500 @5kHz
	Average power (W) = Single pulse energy (mJ) * Rep. rate (kHz)			
Single pulse energy (uJ)	>20@5kHz	>20@5kHz	>200@5kHz	>100@5kHz
Rep. rate ¹	1-10kHz			
Pulse duration (ns) ²	<20@5kHz			
Peak power (kW)	~2@5kHz	~2@5kHz	~20@5kHz	~10@5kHz
Ave power stability (over 4 hours)	<5% , <3% , <2%			
Beam divergence, full angle (mrad)	<3.5			
Beam diameter at the aperture (1/e ² , mm)	~1			
Polarization ratio	>100:1 Horizontal		>100:1 Vertical	
Beam height from base plate (mm)	103.5			
Warm-up time (minutes)	<10			
Cooled method	Air cooled			
Operating temperature (°C)	10-35			
Operating voltage (VDC)	24V/42A			
Expected lifetime (hours)	>10000			

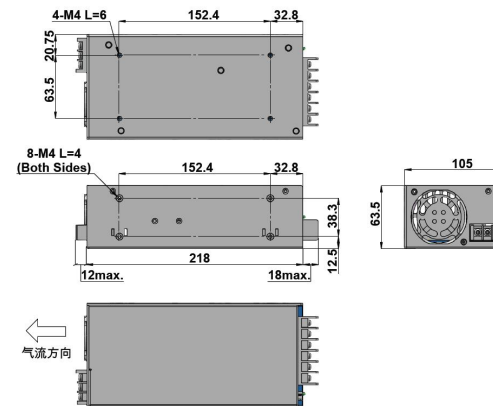


LASER HEAD (Driver Integrated)



540 (L) × 360(W) × 156(H) mm³

POWER SUPPLY (100-240VAC)



248 (L) × 105 (W) × 63.5 (H) mm³

1 Other rep.rate range available on request.

2 Pulse width not tunable, the value varies with different frequency.