



AO-V-349/1-800mW

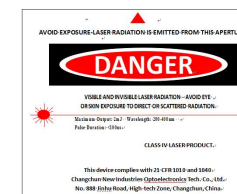
**LD PUMPED ALL-SOLID-STATE  
AOM Q-SWITCHED UV LASER  
AT 349 nm**

CNI's All solid state AOM Q-switched UV laser at 349 nm has the features of high peak power, and short pulse duration, which is widely used in marking, carving, measure, research and so on.

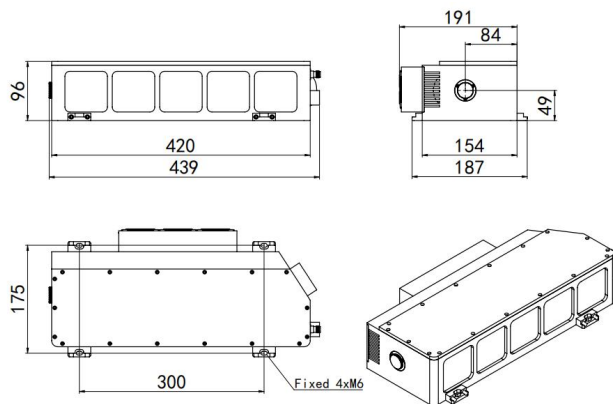


SPECIFICATIONS

|  |              |
|--|--------------|
| Wavelength (nm)                                      | 349±1        |
| Operating mode                                       | Actively     |
| Average power (mW) <sup>1</sup>                      | 1-800@3kHz   |
| Single pulse energy (μJ)                             | 1-267@3kHz   |
| Rep. rate (kHz)                                      | 3-10         |
| Pulse duration (ns)                                  | ~10 @3kHz.   |
| Peak power (kW)                                      | 1-6.7        |
| Ave power stability (rms, 4 hours±3°C)               | <5%, <3%     |
| Beam divergence, full angle (mrad)                   | <2           |
| Beam diameter at the aperture (1/e <sup>2</sup> ,mm) | ~2.0         |
| Warm-up time(minutes)                                | <10          |
| Beam height from base plate (mm)                     | 49           |
| Cooled method  | Air cooled   |
| Operating temperature (°C)                           | 10-35        |
| Power supply (100-240VAC)                            | PSU-AOM (3U) |
| Expected lifetime (hours)                            | >10000       |

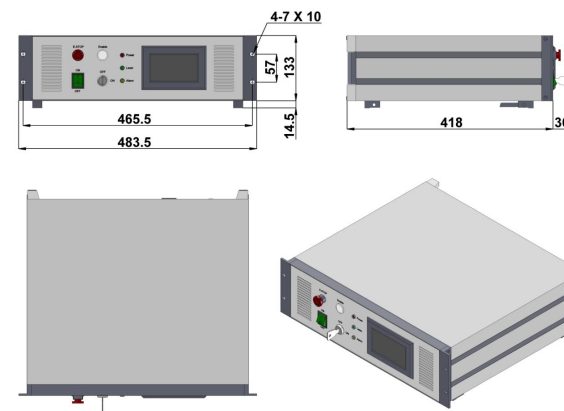


LASER HEAD



439(L) × 191 (W) × 96 (H) mm<sup>3</sup>, 10 kg

POWER SUPPLY



483.5 (L) × 454 (W) × 147.5 (H) mm<sup>3</sup>, 8.3 kg

<sup>1</sup> One fixed value between 1-800mW.