

**DPS-355-E/1-2mJ**

**HIGH ENERGY DIODE PUMPED  
ALL-SOLID-STATE  
Q-SWITCHED LASER**

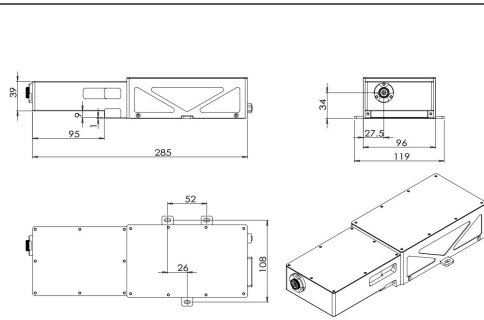
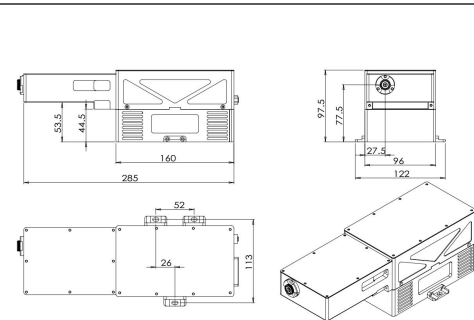
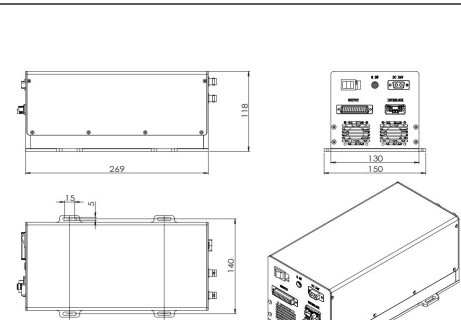
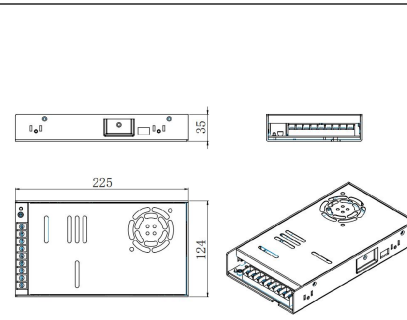
High energy diode pumped all solid state Q-switched laser at 355nm has the features of high single pulse energy, short pulse duration, and high peak power, which is widely used in LIBS, LIF, PIV, ICP-MS, LCD repair, scientific research, laser processing, and so on.



**SPECIFICATIONS**

Wavelength (nm)	355±1	
Operating mode	Actively	
Single pulse energy (mJ)	1-2	
Pulse duration (ns)	<4	
Jitter (ns, sdev)	<1ns (Int.)	
Rep. rate <sup>1</sup>	1-50Hz (optional)	
Energy stability (std dev/mean)	<5%	
Beam divergence, full angle (mrad)	<3	
Beam diameter (mm)	~1	
Warm-up time (minutes)	<15	
Beam height from base plate (mm)	34	77.5
Cooled method	Conduction (DPS-355-E-I)	Air cooled (DPS-355-E-II)
Operating temperature (°C)	15-30	
Power supply (VDC)	PSU-DPS-E (24V/18.8 A)	
Expected lifetime (pulses)	10 <sup>9</sup>	



LASER HEAD (DPS-355-E-I) <sup>2</sup>	LASER HEAD (DPS-355-E-II)	DRIVER	POWER SUPPLY (110/220VAC) optional
 <p style="text-align: center;">285(L)×119(W)×54 (H)mm<sup>3</sup>, 3.5kg</p>	 <p style="text-align: center;">285(L)×122(W)×97.5(H) mm<sup>3</sup>, 4.5kg</p>	 <p style="text-align: center;">269(L) ×150(W) ×118(H) mm<sup>3</sup>, 4 kg</p>	 <p style="text-align: center;">225(L) ×134(W) ×35(H) mm<sup>3</sup>, 0.85 kg</p>

1 One fixed value between 1-50Hz.

2 The laser head needs to be used on a heat sink with ~80W heat dissipation.