

EO-266-N/4-150uJ

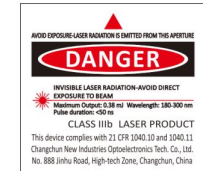
## HIGH ENERGY DIODE PUMPED ALL-SOLID-STATE Q-SWITCHED LASER

High energy diode pumped all solid state Q-switched laser at 266nm has the features of high single pulse energy, short pulse duration, and high peak power, which is widely used in scientific research, biology, instrumentation, 3D marking, laser marking, sub-surface engraving and so on.

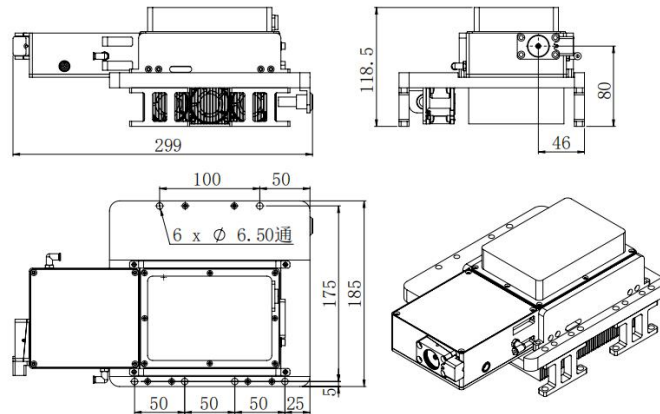


### SPECIFICATIONS

Wavelength (nm)	266±1			
Operating mode	Actively			
Single pulse energy (uJ) <sup>1</sup>	10-100@1kHz	10-100@5kHz	4@25kHz	4-150@3kHz
Pulse duration (ns)	<5@1kHz	<5@5kHz	<13@25kHz	<10@3kHz
Rep. rate	1Hz-1kHz	1-7kHz	1-25kHz	1-3kHz <sup>2</sup>
Power stability (rms, 4 hours ±3°C)	<5%, <3%			
Pointing stability over temperature (urad/°C)	<20			
Beam divergence, full angle (mrad)	<3			
Beam diameter (mm)	~1			
Beam height from base plate (mm) <sup>3</sup>	80, 56			
Warm-up time (minutes)	<15			
Cooled method <sup>4</sup>	Air cooled or water cooled			
Operating temperature (°C)	15-30			
Power supply (24VDC)	PSU-EO-N (24V/13A)			

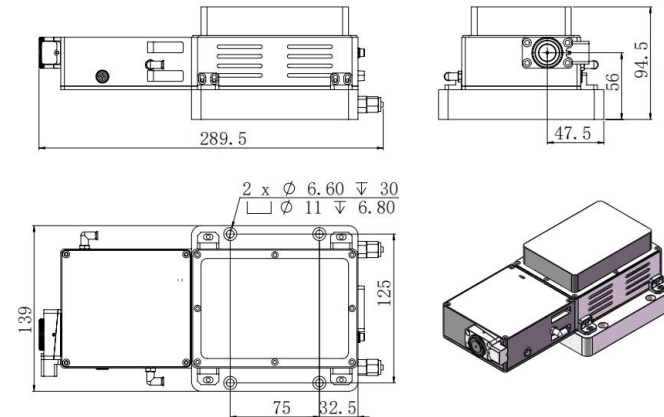


LASER HEAD (EO-266-N-I)<sup>5</sup>

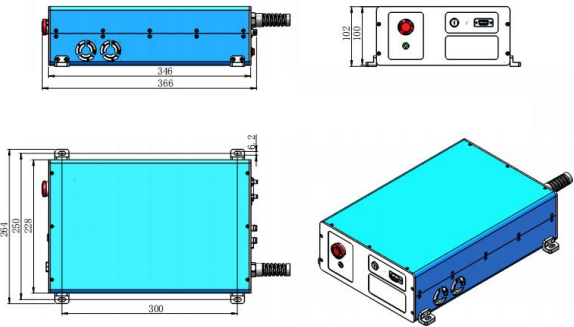
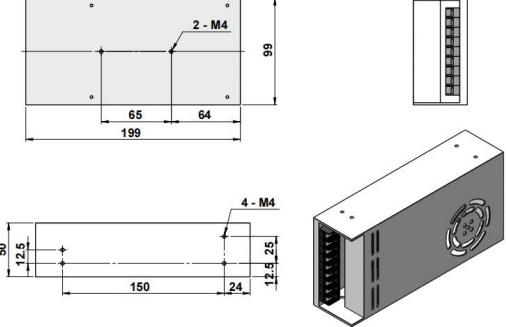
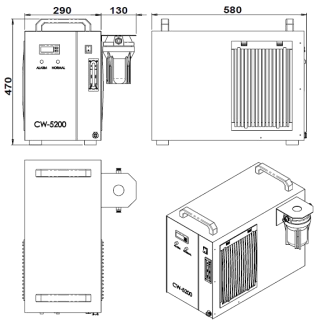


299(L)×185(W)×118.5 (H)mm<sup>3</sup>, 6kg

LASER HEAD (EO-266-N-II)<sup>6</sup>



289.5(L)×139(W)×94.5 (H)mm<sup>3</sup>, 4.1kg

DRIVER (PSU-EO-N)	POWER SUPPLY (100-240VAC) optional	WATER CHILLER (WCH-1500)
 <p>366(L)×264(W)×102(H)mm<sup>3</sup>, 6.5kg</p>	 <p>580(L)×290(W)×470(H) mm<sup>3</sup>, 0.95kg</p>	 <p>580(L)×290(W)×470(H) mm<sup>3</sup>, 24 kg</p>

1 the energy varies with different frequency; Higher energy can be customized.

2 One fixed value between 1k-3kHz.

3 Beam height from base plate is 80mm at air cooled, 56mm at water cooled.

4 Air cooled (all power); Water cooled (all power).

5 Air cooled.

6 Water cooled.