

EO-266-Subnano-Hi/1-500μJ/1-2.5W

HIGH ENERGY DIODE PUMPED ALL-SOLID-STATE Q-SWITCHED LASER

High energy diode pumped all solid state Q-switched laser at 266nm has the features of high single pulse energy, short pulse duration, and high peak power, which is widely used in differential absorption lidar, LIF, precision drilling and so on.

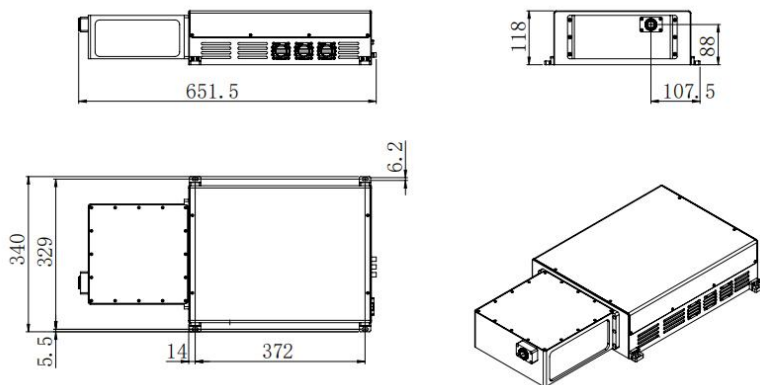


SPECIFICATIONS

Wavelength (nm)	266±1	
Operating mode	Actively	
Single pulse energy (uJ) ¹	1-200@5KHz	200-500@5KHz
Average power (W)	1mW-1W@5KHz	1-2.5W@5KHz
Power stability (rms, 4 hours ±3°C)	<5%	
Pulse duration (ns)	<1.5ns@5KHz	~2ns@5KHz
Rep. rate ²	100Hz-10kHz	
Beam diameter (mm)	~1.5mm	
Beam divergence, full angle (mrad)	≤3mrad	
Cooled method ³	Air cooled or water cooled	
Warm-up time (minutes)	<15	
Operating voltage (VDC)	24V/21A	
Operating temperature (°C)	15-30	
Expected lifetime (hours)	>10000	

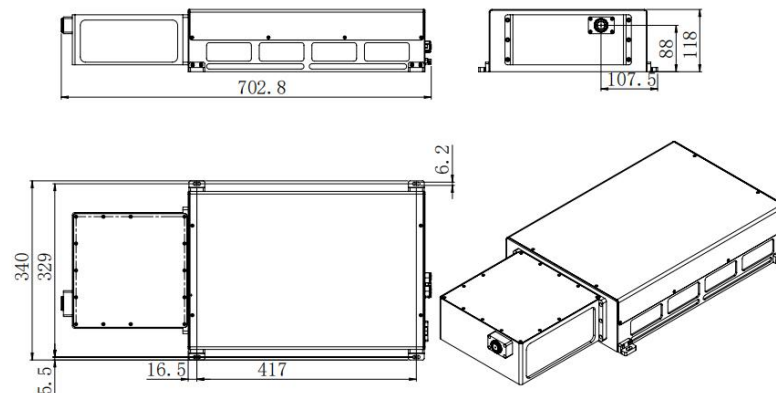


LASER HEAD (Driver integrated)⁴



651.5(L)×340(W)×118(H)mm³, 21kg

LASER HEAD (Driver integrated)⁵



703(L)×340(W)×118(H)mm³, 23kg

POWER SUPPLY (100-240VAC) optional	WATER CHILLER (WCH-1500)
<p style="text-align: center;">218(L)×116.5(W)×41(H)mm³, 1.1kg</p>	<p style="text-align: center;">580(L) × 290(W) × 470(H) mm³, 24 kg</p>

- 1 The energy and output power was measured at 5kHz, the value varies with different frequency .
- 2 One fixed value between 100Hz-10kHz. Repetition rate 100Hz-10kHz variable can be customized.
- 3 Air cooled (≤ 1 kHz); Water cooled (all frequency).
- 4 Air cooled.
- 5 Water cooled.